

PRODUCT SPECIFICATION

45 Series Ø22mm Switches and Indicators



Technical Data

Conventional free air thermal current I_{th}
10A, as per EN IEC 60947-5-1

Switch rating
Switch rating AC with silver contact
600 VAC, 1A, services category AC-15, as per EN IEC 60947-5-1

Environmental conditions

Switching system
Self cleaning, double-break rolling action silver contact with raked surface. The slow-make elements are constructed as per EN IEC 60947-5-1

Electrical characteristics

Conventional free air thermal current I_{th}
10A, as per EN IEC 60947-5-1
the maximum current in continuous operation and at ambient temperature must not exceed the quoted maximum values.

Switch rating
Switch rating AC (inductive) with silver contact
service category AC-13, as per EN IEC 60947-5-1

Switch rating AC (inductive) with silver contact
service category AC-14, as per EN IEC 60947-5-1

Switch rating AC (non-inductive) with silver contact

Switch rating DC with silver contact service
category DC-13, as per EN IEC 60947-5-1

Material
Silver contact

Short-circuit protection
Series-connected blow-out fuse 10A gL

Overtoltage category
III, as per EN IEC 60947-5-1

Degree of pollution
3, as per EN IEC 60947-1

Contact Ratings (Contact Block)

Operating Voltage (AC/DC)		12V	24V	110V	230/240V
AC 50/60 Hz	Resistive Load	10A	10A	10A	6A
	Inductive Load	10A	10A	5A	3A
DC	Resistive Load	16A	8A	2.2A	1.1A
	Inductive Load	8A	4A	1.1A	0.6A
Contact Material		Silver			
Rated Insulation Voltage		600V			
Rated Thermal Current		10A			

• Minimum applicable load: 3V AC/DC, 5mA
(applicable range may vary with operating conditions and load types)



Material

Mushroom-head cap
Polyamide (PA)

Actuator housing
Polyetherimide (PEI), Self-extinguishing

Switching element
Polyamide (PA), Polysulfon (PSU)

Material of contact
Silver (Ag)

Approvals
Approbations and Declarations of conformity
CE CE

Mechanical characteristics

Terminals
Housing in different colors for NO and NC contacts
Spring Lift terminal helps easy wiring.

Unlock torque
25 Ncm approx.

Actuating travel
8.5 mm

Rebound time
≤2 ms

Specifications

Operating Temperature		-25 to +60°C (No freezing)
Storage Temperature		-40 to +80°C
Operating Humidity		45 to 85% RH (No condensation)
Contact Resistance		50 mΩ maximum (Initial value)
Insulation Resistance		100 MΩ minimum (500V DC megger)
Dielectric Strength		Between live and dead metal parts: 2,800V AC, 1 minute Between terminals: 2,800V AC, 1 minute Indicators: 2,200 for 1 minute
Vibration Resistance	Pushbuttons, Indicators, Selector Switches and Key Selector Switches	Operating extremes: 5 to 65 Hz, amplitude 1mm Damage limits: 30Hz, amplitude 1.5mm
	E-Stop Switches	Operating extremes: 10 to 550 Hz, amplitude 0.35mm Damage limits: 50m/s ² (5G)
Shock Resistance	Pushbuttons, Indicators, Selector Switches and Key Selector Switches	Operating extremes: 100m/s ² (15G) Damage limits: 1000m/s ² (100G)
	E-Stop Switches	Operating extremes: 100m/s ² (15G) Damage limits: 1000m/s ² (100G)
Mechanical Durability (minimum operations)	Push buttons and Illuminated push buttons	1,000,000
	Selector switch and Key selector switch	
	E-Stop Switches	
Electrical Durability (minimum operations)	Push buttons, Selector switch and key selector switch	1,000,000
	E-Stop Switches	
Degree of Protection		Enclosed (IP20) Waterproof, dust-tight (IP65)

LED lamp Ratings

Type	12V	24V	110V	230/240V	
Voltage Range	12V AC/DC ±10	24V AC/DC ±10%	110V AC/DC ±10%	230/240V AC/DC ±10%	
Rated Voltage	12V AC/DC	24V AC/DC	110V AC/DC	230/240V AC/DC	
Current Draw AC/DC	14 mA	10 mA	5.5 mA	2.7 mA	
Colour	Red				
	Amber				
	Yellow				
	Green				
	Blue				
	White				
Life (reference value)	Approx. 100,000 hours (The luminance is reduced to 50% the initial intensity when used on complete DC.)				
Internal Circuit					<ul style="list-style-type: none"> LED Chip Protection Diode Zener Diode

Model Number Structure - Indicators



45.90.00.02.12

Series	
45	45 Series Switches and Indicators ø22

Operation Type	
90	Indicator (Dome)
91	Indicator (Flat) - Flush
92	Indicator (Flat) - Flush marking type
93	Indicator (Flat) - Extended

Voltage	
12	12V AC/DC
24	24V AC/DC
11	110VAC/DC
23	230/240V AC/DC

Colour	
02	Red
03	Amber
04	Yellow
05	Green
06	Blue
09	White
00	Black

Contact	
00	No Contacts

Model Number Structure - Unibody Indicators



45.95.02.24.01

Series	
45 Series Switches and Indicators ø22	

Operation Type Unibody	
95	Flush
96	Dome
97	Flush (With Marked)
98	Extended (Flat)
09	Flush with Buzzer

Colour	
02	Red
03	Amber
04	Yellow
05	Green
06	Blue
09	White

Lens Colour for Buzzer	
02B	Red
04B	Yellow
05B	Green
00B	Black

Buzzer	
00	Without Buzzer
01	24V AC/DC (only)

Voltage	
12	12V AC/DC
24	24V AC/DC
110	110V AC
230	230/240V AC

Model Number Structure - Pushbutton



45.10.11.02.12

Series
45 Series Switches and Indicators ø22

Operation Type		
10	Non-Illuminated Flush	Momentary
11	Non-Illuminated Extended	Momentary
12	Non-Illuminated Extended with full shroud	Momentary
13	Non-Illuminated Mushroom	Momentary
14	Illuminated Flush	Momentary
15	Illuminated Extended	Momentary
16	Illuminated Extended with Full Shroud	Momentary
17	Illuminated Mushroom	Momentary
20	Non-Illuminated Flush	Maintained
21	Non-Illuminated Extended	Maintained
22	Non-Illuminated Extended with full shroud	Maintained
23	Non-Illuminated Mushroom	Maintained
24	Illuminated Flush	Maintained
25	Illuminated Extended	Maintained
26	Illuminated Extended with Full Shroud	Maintained
27	Illuminated Mushroom	Maintained

Voltage (Illuminated Types Only)	
12	12V AC/DC
24	24V AC/DC
11	110V AC/DC
23	230/240V AC/DC

Colour	
02	Red
03	Amber
04	Yellow
05	Green
06	Blue
09	White
00	Black *

Contact	
00	No Contacts
10	1NO
01	1NC
11	1NO-1NC
20	2NO
02	2NC
22	2NO-2NC
30	3NO
03	3NC
40	4NO
04	4NC
12	1NO-2NC
21	2NO-1NC
13	1NO-3NC
31	3NO-1NC

Please contact your **WERNER** representative for more contact arrangement.

Model Number Structure - Pushbutton



45.18.11.02.12

Series	
45 Series Switches and Indicators ø22	

Operation Type	
18	Non-Illuminated Dual Head
28	Illuminated Dual Head

Voltage (Illuminated Types Only)	
12	12V AC/DC
24	24V AC/DC
11	110V AC/DC
23	230/240V AC/DC
00	Without LED

Colour	
02	Red - Green
03	Black - Blue
04	Green - Green

Contact	
00	No Contacts
10	1NO
01	1NC
11	1NO-1NC
20	2NO
02	2NC
22	2NO-2NC
30	3NO
03	3NC
40	4NO
04	4NC
12	1NO-2NC
21	2NO-1NC
13	1NO-3NC
31	3NO-1NC
Please contact your <i>WERNER</i> representative for more contact arrangement.	

Model Number Structure - Illuminated & Non-Illuminated Selector Switch



45.36.21.09.12

Series
45 Series Switches and Indicators ø22

Non-Illuminated Selector Switch Type		Position
30	Maintained	90° 2 Positions
31	Spring Return from Right	
32	Maintained	45° 3 Positions
33	Spring Return from Right	
34	Spring Return from Left	
35	Spring Return from 2 ways	

Illuminated Selector Switch Type		Position
36	Maintained	90° 2 Positions
37	Spring Return from Right	
38	Maintained	45° 3 Positions
39	Spring Return from Right	
40	Spring Return from Left	
41	Spring Return from 2 ways	

Voltage	
12	12V AC/DC
24	24V AC/DC
11	110V AC/DC
23	230/240V AC/DC

Colour	
00	Red
02	Amber
03	Yellow
04	Green
05	Blue
06	White
09	Black *

Contact	
00	No Contacts
10	1NO
01	1NC
11	1NO-1NC
20	2NO
02	2NC
22	2NO-2NC
30	3NO
03	3NC
40	4NO
04	4NC
12	1NO-2NC
21	2NO-1NC
13	1NO-3NC
31	3NO-1NC

Please contact your WERNER representative for more contact arrangement.

Non-Illuminated Selector Switches are in black only.

Model Number Structure - Key Selector Switch



45.42.11.00

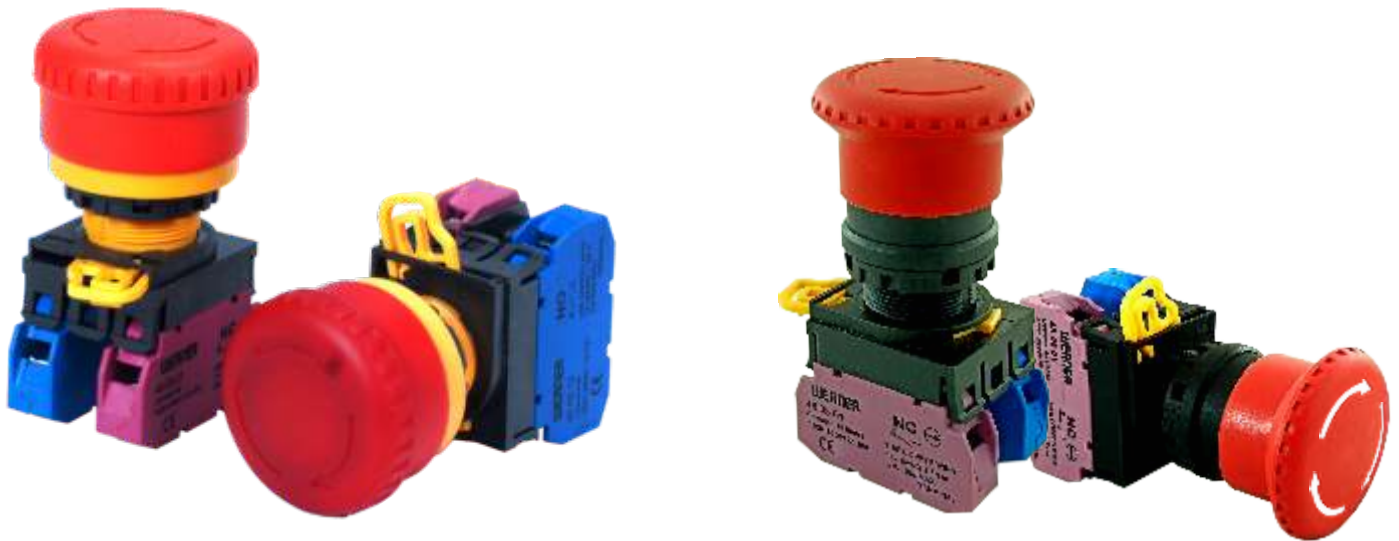
Series
45 Series Switches and Indicators ø22

Colour
00 Black

Key Selector Switch Type	Retained at	Pos.
42 Maintained	N.A	90° - 2 Pos.
43 Maintained	R	
44 Maintained	L	
45 Spring Return from Right	R & L	
46 Maintained	N.A	
47 Maintained	R	45° - 3 Pos.
48 Maintained	L	
49 Maintained	R & L	
50 Maintained	C	
51 Maintained	C & R	
52 Maintained	C & L	
53 Spring Return from Right	R	
54 Spring Return from Right	R & L	
55 Spring Return from Right	R & C	
56 Spring Return from Left	L	
57 Spring Return from Left	L & R	
58 Spring Return from Left	L & C	
59 Spring Return from 2 ways	R & L	

Contact	
00 No Contacts	
10 1NO	
01 1NC	
11 1NO-1NC	
20 2NO	
02 2NC	
22 2NO-2NC	
30 3NO	
03 3NC	
40 4NO	
04 4NC	
12 1NO-2NC	
21 2NO-1NC	
13 1NO-3NC	
31 3NO-1NC	
Please contact your WERNER representative for more contact arrangement.	

Model Number Structure - Illuminated & Non-Illuminated Emergency Stop Switch



45.86.21.02.12

Series
45 Series Switches and Indicators ø22

Voltage	
12	12V AC/DC
24	24V AC/DC
11	110V AC/DC
23	230V AC

Emergency Stop Switch	Operation
86 Illuminated ø40 mm Mushroom	Pushlock Turn Reset + Push Pull
87 Non-Illuminated ø40 mm Mushroom	Pushlock Turn Reset + Push Pull
88 Non-Illuminated ø40 mm Pushlock Turn Rest	Pushlock Turn Reset
89 Non-Illuminated ø40 mm Pushlock Printed Turn Rest	Pushlock Turn Reset

Colour	
02	Red

Contact	
00	No Contacts
10	1NO
01	1NC
11	1NO-1NC
20	2NO
02	2NC
22	2NO-2NC
30	3NO
03	3NC
40	4NO
04	4NC
12	1NO-2NC
21	2NO-1NC
13	1NO-3NC
31	3NO-1NC

Please contact your WERNER representative for more contact arrangement.

Innovative Design, Space-Saving, Safety and Self-Cleaning Contacts

Emergency Stop Switches



Non-illuminated

Illuminated

Satisfy International Standards

- **Safety Lock Mechanism**

When the emergency stop signal has been generated during actuation of the emergency stop device, the emergency stop function shall be maintained until the emergency stop device is reset.

- **Direct Opening Action**

Even if the contacts are welded, NC contacts are forced to open and break the circuit.

- **Safe Pushbutton Design**

The pushbutton is designed to ensure that an object cannot become trapped between the mushroom button and the panel, disabling the button operation. In addition, the pushbutton is designed to prevent removal from the front of the panel.

Easy Operation

- **Push-to-lock, Turn-to-release**

45 Series emergency stop switches can be unlatched by either pulling or turning the operator.

Unlatching by turning



Pilot Lights

Higher Brightness

The new unibody pilot light achieves high brightness.

Short Depth behind the Panel

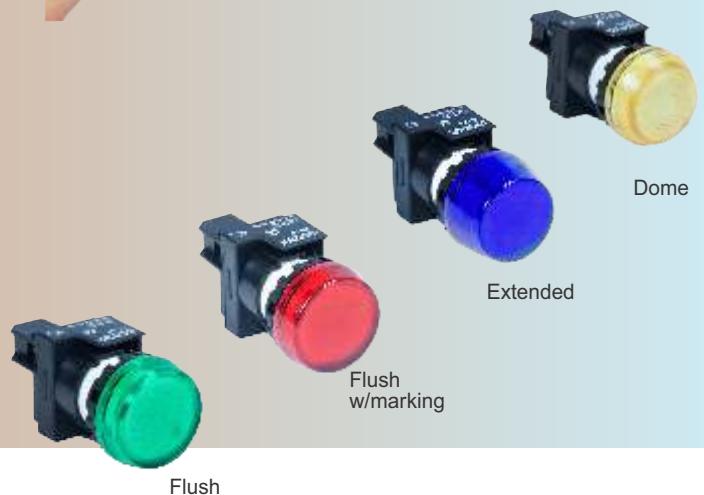
Unibody type measures only 47mm depth behind the panel.

Four Lens Shapes

Flush, flush with marking, extended, and dome.

Panel Mounting

Pilot lights can be mounted on panels simply by tightening the locking ring.



Flush

Flush w/markings

Extended

Dome

Selector Switches



Non-Illuminated

Illuminated



A variety of operations and positions.

Wide range adds more options to choose from.



Safety

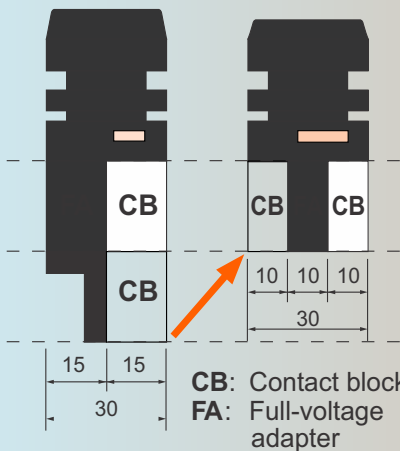
Integrated Finger-safe Terminal Cover
Degree of Protection: IP20
(From panel front: IP65)



Nylon bezels are available for pushbuttons, illuminated pushbuttons, selector switches, and key selector switches.

Save

New Contact Block Design
 45 series

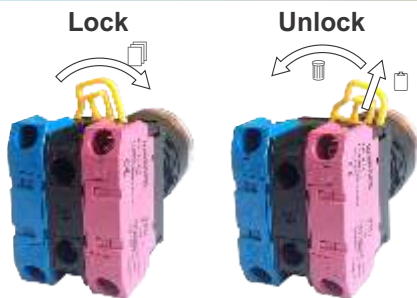


The new contact block design reduces the depth behind the panel.



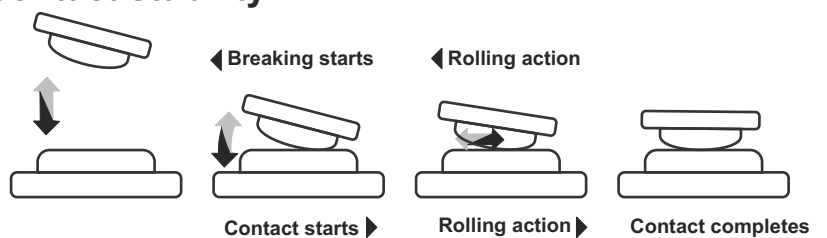
Reliable

Retained Locking Lever



An innovative plastic locking lever is retained and eliminates the need for a separate lever lock.

Rolling action of contact mechanism improve contact stability



In the contact mechanism, the movable contact makes contact with stationary contact at one point and then gradually increases the contact area while rolling on it. This rolling action minimizes the part exposed to the arc that is generated at first contact or breaking, thereby maintaining much higher contact stability.



Indicator Model Selection

Appearance	Indicator Type	Lamp	Operating Voltage	Lens Color	Model No.
	Dome	LED	12V AC/DC	Red	45.90.00.02.12
				Amber	45.90.00.03.12
				Yellow	45.90.00.04.12
				Green	45.90.00.05.12
				Blue	45.90.00.06.12
			24V AC/DC	White	45.90.00.09.12
				Red	45.90.00.02.24
				Amber	45.90.00.03.24
				Yellow	45.90.00.04.24
				Green	45.90.00.05.24
			110V AC/DC	Blue	45.90.00.06.24
				White	45.90.00.09.24
				Red	45.90.00.02.11
				Amber	45.90.00.03.11
				Yellow	45.90.00.04.11
			230-240V AC/DC	Green	45.90.00.05.11
				Blue	45.90.00.06.11
				White	45.90.00.09.11
				Red	45.90.00.02.23
				Amber	45.90.00.03.23
	Flush (Flat)	LED	12V AC/DC	Yellow	45.90.00.04.23
				Green	45.90.00.05.23
				Blue	45.90.00.06.23
				White	45.90.00.09.23
				24V AC/DC	Red
			Amber		45.91.00.03.12
			Yellow		45.91.00.04.12
			Green		45.91.00.05.12
			Blue		45.91.00.06.12
			110V AC/DC	White	45.91.00.09.12
				Red	45.91.00.02.24
				Amber	45.91.00.03.24
				Yellow	45.91.00.04.24
				Green	45.91.00.05.24
			230-240V AC/DC	Blue	45.91.00.06.24
				White	45.91.00.09.24
				Red	45.91.00.02.11
				Amber	45.91.00.03.11
				Yellow	45.91.00.04.11
			230-240V AC/DC	Green	45.91.00.05.11
Blue	45.91.00.06.11				
White	45.91.00.09.11				
Red	45.91.00.02.23				
Amber	45.91.00.03.23				
230-240V AC/DC	Yellow	45.91.00.04.23			
	Green	45.91.00.05.23			
	Blue	45.91.00.06.23			
	White	45.91.00.09.23			
	Red	45.91.00.02.23			

Indicator Model Selection

Appearance	Indicator Type	Lamp	Operating Voltage	Lens Color	Model No.
	Flush Marking Type (Flat)	LED	12V AC/DC	Red	45.92.00.02.12
				Amber	45.92.00.03.12
				Yellow	45.92.00.04.12
				Green	45.92.00.05.12
				Blue	45.92.00.06.12
				White	45.92.00.09.12
			24V AC/DC	Red	45.92.00.02.24
				Amber	45.92.00.03.24
				Yellow	45.92.00.04.24
				Green	45.92.00.05.24
				Blue	45.92.00.06.24
				White	45.92.00.09.24
			110V AC/DC	Red	45.92.00.02.11
				Amber	45.92.00.03.11
				Yellow	45.92.00.04.11
				Green	45.92.00.05.11
				Blue	45.92.00.06.11
				White	45.92.00.09.11
			230-240V AC/DC	Red	45.92.00.02.23
				Amber	45.92.00.03.23
Yellow	45.92.00.04.23				
Green	45.92.00.05.23				
Blue	45.92.00.06.23				
White	45.92.00.09.23				
	Extended (Flat)	LED	12V AC/DC	Red	45.93.00.02.12
				Amber	45.93.00.03.12
				Yellow	45.93.00.04.12
				Green	45.93.00.05.12
				Blue	45.93.00.06.12
				White	45.93.00.09.12
			24V AC/DC	Red	45.93.00.02.24
				Amber	45.93.00.03.24
				Yellow	45.93.00.04.24
				Green	45.93.00.05.24
				Blue	45.93.00.06.24
				White	45.93.00.09.24
			110V AC/DC	Red	45.93.00.02.11
				Amber	45.93.00.03.11
				Yellow	45.93.00.04.11
				Green	45.93.00.05.11
				Blue	45.93.00.06.11
				White	45.93.00.09.11
			230-240V AC/DC	Red	45.93.00.02.23
				Amber	45.93.00.03.23
Yellow	45.93.00.04.23				
Green	45.93.00.05.23				
Blue	45.93.00.06.23				
White	45.93.00.09.23				

Indicator Model Selection

Appearance	Indicator Type	Lamp	Operating Voltage	Lens Color	Model No.
	Flush	LED	12V AC/DC	Red	45.95.02.12
				Amber	45.95.03.12
				Yellow	45.95.04.12
				Green	45.95.05.12
				Blue	45.95.06.12
			24V AC/DC	White	45.95.09.12
				Red	45.95.02.24
				Amber	45.95.03.24
				Yellow	45.95.04.24
				Green	45.95.05.24
			110V AC/DC	Blue	45.95.06.24
				White	45.95.09.24
				Red	45.95.02.110
				Amber	45.95.03.110
				Yellow	45.95.04.110
			230-240V AC/DC	Green	45.95.05.110
				Blue	45.95.06.110
				White	45.95.09.110
				Red	45.95.02.230
				Amber	45.95.03.230
	Dome	LED	12V AC/DC	Yellow	45.96.04.12
				Green	45.96.05.12
				Blue	45.96.06.12
				White	45.96.09.12
				24V AC/DC	Red
			Amber		45.96.03.24
			Yellow		45.96.04.24
			Green		45.96.05.24
			Blue		45.96.06.24
			110V AC/DC	White	45.96.09.24
				Red	45.96.02.110
				Amber	45.96.03.110
				Yellow	45.96.04.110
				Green	45.96.05.110
			230-240V AC/DC	Blue	45.96.06.110
				White	45.96.09.110
				Red	45.96.02.230
				Amber	45.96.03.230
				Yellow	45.96.04.230
				Blue	45.96.06.230
				White	45.96.09.230

Indicator Model Selection

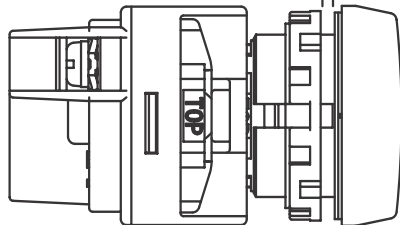
Appearance	Indicator Type	Lamp	Operating Voltage	Lens Color	Model No.
	Flush (With Marked)	LED	12V AC/DC	Red	45.97.02.12
				Amber	45.97.03.12
				Yellow	45.97.04.12
				Green	45.97.05.12
				Blue	45.97.06.12
				White	45.97.09.12
			24V AC/DC	Red	45.97.02.24
				Amber	45.97.03.24
				Yellow	45.97.04.24
				Green	45.97.05.24
				Blue	45.97.06.24
				White	45.97.09.24
			110V AC/DC	Red	45.97.02.110
				Amber	45.97.03.110
				Yellow	45.97.04.110
				Green	45.97.05.110
				Blue	45.97.06.110
				White	45.97.09.110
			230-240V AC/DC	Red	45.97.02.230
				Amber	45.97.03.230
Yellow	45.97.04.230				
Green	45.97.05.230				
Blue	45.97.06.230				
White	45.97.09.230				
	Extended (Flat)	LED	12V AC/DC	Red	45.98.02.12
				Amber	45.98.03.12
				Yellow	45.98.04.12
				Green	45.98.05.12
				Blue	45.98.06.12
				White	45.98.09.12
			24V AC/DC	Red	45.98.02.24
				Amber	45.98.03.24
				Yellow	45.98.04.24
				Green	45.98.05.24
				Blue	45.98.06.24
				White	45.98.09.24
			110V AC/DC	Red	45.98.02.110
				Amber	45.98.03.110
				Yellow	45.98.04.110
				Green	45.98.05.110
				Blue	45.98.06.110
				White	45.98.09.110
			230-240V AC/DC	Red	45.98.02.230
				Amber	45.98.03.230
Yellow	45.98.04.230				
Green	45.98.05.230				
Blue	45.98.06.230				
White	45.98.09.230				

Dimensions - Indicators

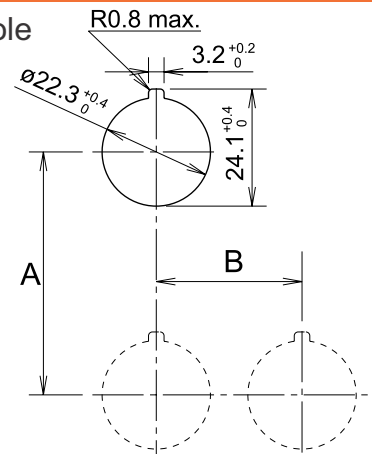


- Flush Full Voltage

Panel Thickness
Panel Thickness 0.8 to 6



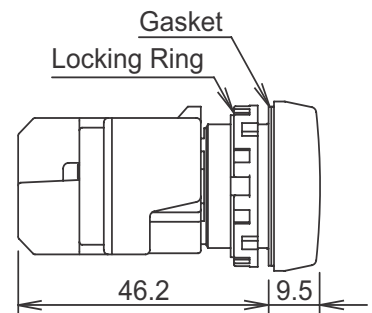
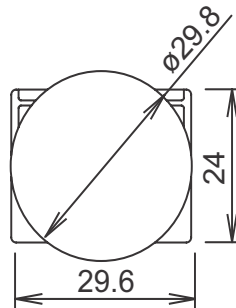
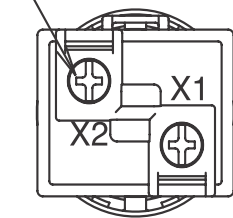
Mounting Hole



A (mm) X B (mm)

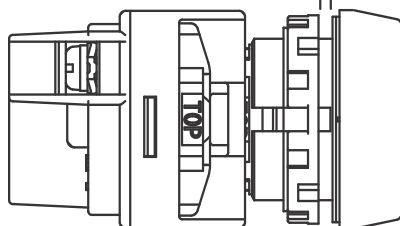
30 min. X 30 min.

M3.5 Terminal Screw

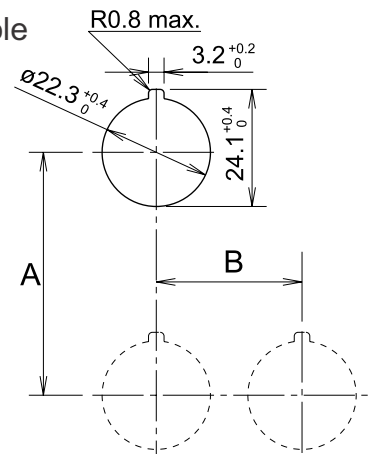


- Flush Marking Type Full Voltage

Panel Thickness 0.8 to 6



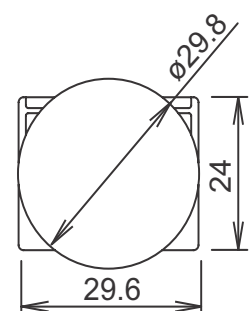
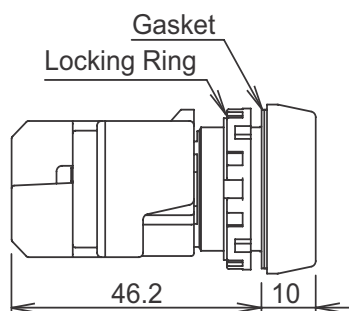
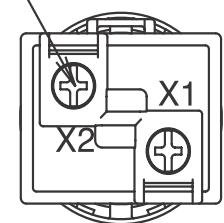
Mounting Hole



A (mm) X B (mm)

30 min. X 30 min.

M3.5 Terminal Screw

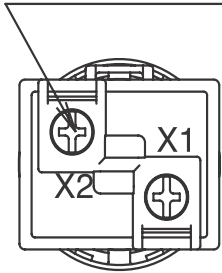


Dimensions - Indicators

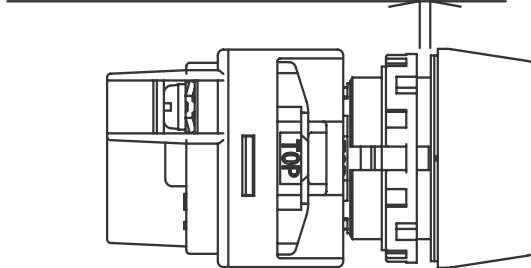


- **Extended**
- Full Voltage**

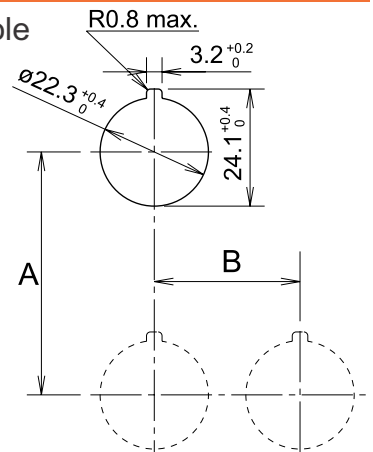
M3.5 Terminal Screw



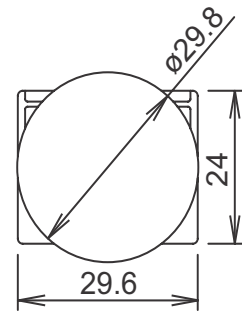
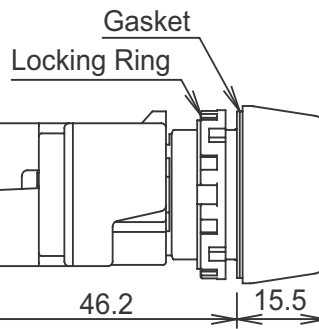
Panel Thickness 0.8 to 6



Mounting Hole

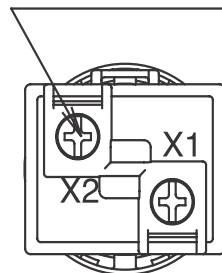


A (mm) X B (mm)
30 min. X 30 min.

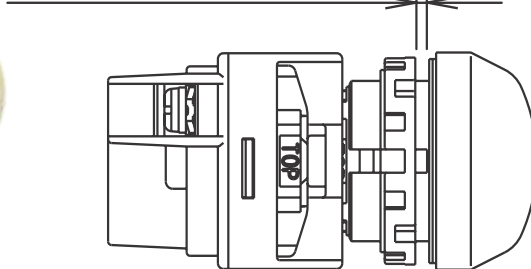


- **Dome**
- Full Voltage**

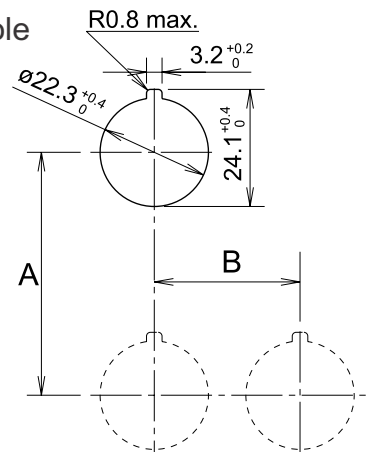
M3.5 Terminal Screw



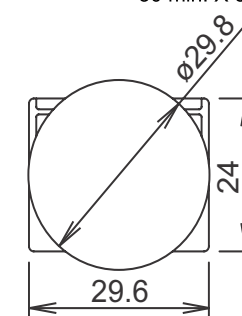
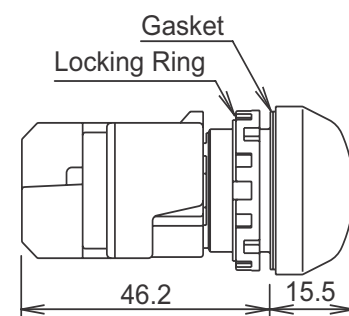
Panel Thickness 0.8 to 6



Mounting Hole



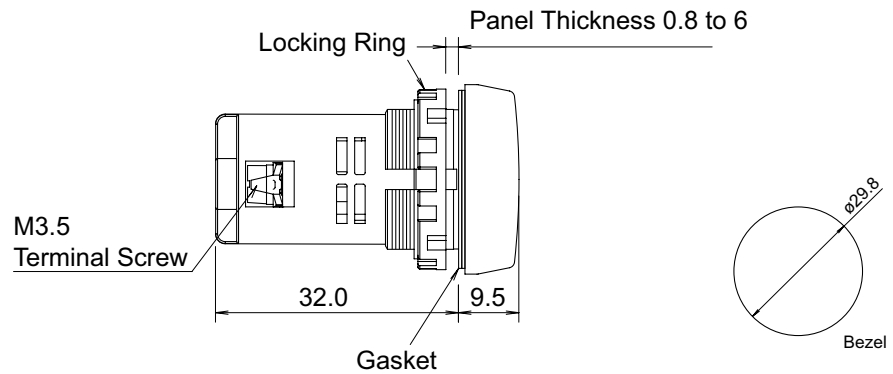
A (mm) X B (mm)
30 min. X 30 min.



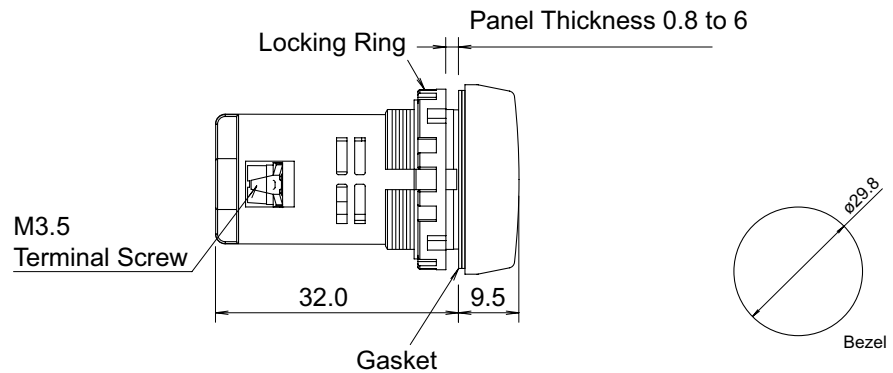
Dimensions - Unibody Indicators



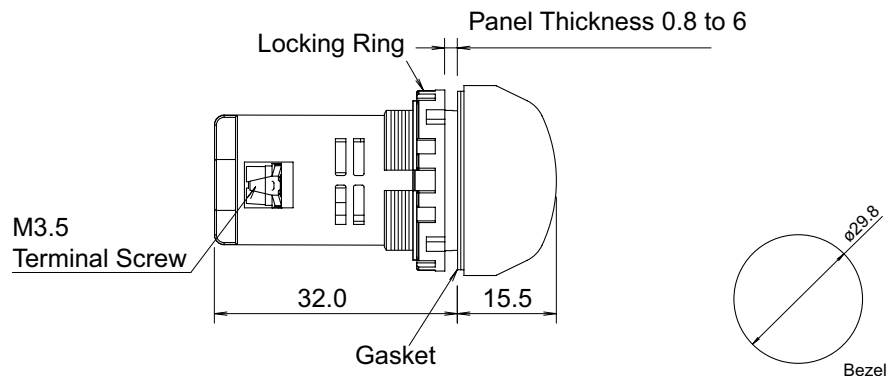
- Flush Type Uni body



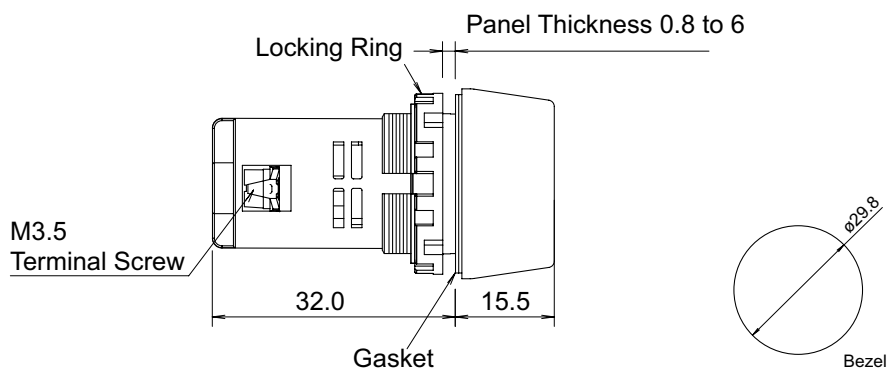
- Flush Marking Type Uni body



- Dome Type Uni body



- Extended Type Uni body



Non-Illuminated Pushbutton Model Selection

Appearance	Pushbutton Type	Operation	Type	Contact	Model No.	Color
					Red	
	Flush	Momentary	Non-Illuminated	1NO	45.10.10.02	
				1NC	45.10.01.02	
				1NO-1NC	45.10.11.02	
				2NO	45.10.20.02	For more
				2NC	45.10.02.02	color options
	2NO-2NC	45.10.22.02	refer to next			
	Maintained	Non-Illuminated	1NO	45.20.10.02	page	
			1NC	45.20.01.02		
			1NO-1NC	45.20.11.02		
			2NO	45.20.20.02		
2NC			45.20.02.02			
2NO-2NC	45.20.22.02					
	Extended	Momentary	Non-Illuminated	1NO	45.11.10.02	
				1NC	45.11.01.02	
				1NO-1NC	45.11.11.02	
				2NO	45.11.20.02	For more
				2NC	45.11.02.02	color options
	2NO-2NC	45.11.22.02	refer to next			
	Maintained	Non-Illuminated	1NO	45.21.10.02	page	
			1NC	45.21.01.02		
			1NO-1NC	45.21.11.02		
			2NO	45.21.20.02		
2NC			45.21.02.02			
2NO-2NC	45.21.22.02					
	Mushroom	Momentary	Non-Illuminated	1NO	45.13.10.02	
				1NC	45.13.01.02	
				1NO-1NC	45.13.11.02	
				2NO	45.13.20.02	For more
				2NC	45.13.02.02	color options
	2NO-2NC	45.13.22.02	refer to next			
	Maintained	Non-Illuminated	1NO	45.23.10.02	page	
			1NC	45.23.01.02		
			1NO-1NC	45.23.11.02		
			2NO	45.23.20.02		
2NC			45.23.02.02			
2NO-2NC	45.23.22.02					
	Extended With Full Shroud	Momentary	Non-Illuminated	1NO	45.12.10.02	
				1NC	45.12.01.02	
				1NO-1NC	45.12.11.02	
				2NO	45.12.20.02	For more
				2NC	45.12.02.02	color options
	2NO-2NC	45.12.22.02	refer to next			
	Maintained	Non-Illuminated	1NO	45.22.10.02	page	
			1NC	45.22.01.02		
			1NO-1NC	45.22.11.02		
			2NO	45.22.20.02		
2NC			45.22.02.02			
2NO-2NC	45.22.22.02					

Non-Illuminated Pushbutton Model Selection

Model No.					
Amber	Yellow	Green	Blue	White	Black
45.10.10.03	45.10.10.04	45.10.10.05	45.10.10.06	45.10.10.09	45.10.10.00
45.10.01.03	45.10.01.04	45.10.01.05	45.10.01.06	45.10.01.09	45.10.01.00
45.10.11.03	45.10.11.04	45.10.11.05	45.10.11.06	45.10.11.09	45.10.11.00
45.10.20.03	45.10.20.04	45.10.20.05	45.10.20.06	45.10.20.09	45.10.20.00
45.10.02.03	45.10.02.04	45.10.02.05	45.10.02.06	45.10.02.09	45.10.02.00
45.10.22.03	45.10.22.04	45.10.22.05	45.10.22.06	45.10.22.09	45.10.22.00
45.20.10.03	45.20.10.04	45.20.10.05	45.20.10.06	45.20.10.09	45.20.10.00
45.20.01.03	45.20.01.04	45.20.01.05	45.20.01.06	45.20.01.09	45.20.01.00
45.20.11.03	45.20.11.04	45.20.11.05	45.20.11.06	45.20.11.09	45.20.11.00
45.20.20.03	45.20.20.04	45.20.20.05	45.20.20.06	45.20.20.09	45.20.20.00
45.20.02.03	45.20.02.04	45.20.02.05	45.20.02.06	45.20.02.09	45.20.02.00
45.20.22.03	45.20.22.04	45.20.22.05	45.20.22.06	45.20.22.09	45.20.22.00
45.11.10.03	45.11.10.04	45.11.10.05	45.11.10.06	45.11.10.09	45.11.10.00
45.11.01.03	45.11.01.04	45.11.01.05	45.11.01.06	45.11.01.09	45.11.01.00
45.11.11.03	45.11.11.04	45.11.11.05	45.11.11.06	45.11.11.09	45.11.11.00
45.11.20.03	45.11.20.04	45.11.20.05	45.11.20.06	45.11.20.09	45.11.20.00
45.11.02.03	45.11.02.04	45.11.02.05	45.11.02.06	45.11.02.09	45.11.02.00
45.11.22.03	45.11.22.04	45.11.22.05	45.11.22.06	45.11.22.09	45.11.22.00
45.21.10.03	45.21.10.04	45.21.10.05	45.21.10.06	45.21.10.09	45.21.10.00
45.21.01.03	45.21.01.04	45.21.01.05	45.21.01.06	45.21.01.09	45.21.01.00
45.21.11.03	45.21.11.04	45.21.11.05	45.21.11.06	45.21.11.09	45.21.11.00
45.21.20.03	45.21.20.04	45.21.20.05	45.21.20.06	45.21.20.09	45.21.20.00
45.21.02.03	45.21.02.04	45.21.02.05	45.21.02.06	45.21.02.09	45.21.02.00
45.21.22.03	45.21.22.04	45.21.22.05	45.21.22.06	45.21.22.09	45.21.22.00
45.13.10.03	45.13.10.04	45.13.10.05	45.13.10.06	45.13.10.09	45.13.10.00
45.13.01.03	45.13.01.04	45.13.01.05	45.13.01.06	45.13.01.09	45.13.01.00
45.13.11.03	45.13.11.04	45.13.11.05	45.13.11.06	45.13.11.09	45.13.11.00
45.13.20.03	45.13.20.04	45.13.20.05	45.13.20.06	45.13.20.09	45.13.20.00
45.13.02.03	45.13.02.04	45.13.02.05	45.13.02.06	45.13.02.09	45.13.02.00
45.13.22.03	45.13.22.04	45.13.22.05	45.13.22.06	45.13.22.09	45.13.22.00
45.23.10.03	45.23.10.04	45.23.10.05	45.23.10.06	45.23.10.09	45.23.10.00
45.23.01.03	45.23.01.04	45.23.01.05	45.23.01.06	45.23.01.09	45.23.01.00
45.23.11.03	45.23.11.04	45.23.11.05	45.23.11.06	45.23.11.09	45.23.11.00
45.23.20.03	45.23.20.04	45.23.20.05	45.23.20.06	45.23.20.09	45.23.20.00
45.23.02.03	45.23.02.04	45.23.02.05	45.23.02.06	45.23.02.09	45.23.02.00
45.23.22.03	45.23.22.04	45.23.22.05	45.23.22.06	45.23.22.09	45.23.22.00
45.12.10.03	45.12.10.04	45.12.10.05	45.12.10.06	45.12.10.09	45.12.10.00
45.12.01.03	45.12.01.04	45.12.01.05	45.12.01.06	45.12.01.09	45.12.01.00
45.12.11.03	45.12.11.04	45.12.11.05	45.12.11.06	45.12.11.09	45.12.11.00
45.12.20.03	45.12.20.04	45.12.20.05	45.12.20.06	45.12.20.09	45.12.20.00
45.12.02.03	45.12.02.04	45.12.02.05	45.12.02.06	45.12.02.09	45.12.02.00
45.12.22.03	45.12.22.04	45.12.22.05	45.12.22.06	45.12.22.09	45.12.22.00
45.22.10.03	45.22.10.04	45.22.10.05	45.22.10.06	45.22.10.09	45.22.10.00
45.22.01.03	45.22.01.04	45.22.01.05	45.22.01.06	45.22.01.09	45.22.01.00
45.22.11.03	45.22.11.04	45.22.11.05	45.22.11.06	45.22.11.09	45.22.11.00
45.22.20.03	45.22.20.04	45.22.20.05	45.22.20.06	45.22.20.09	45.22.20.00
45.22.02.03	45.22.02.04	45.22.02.05	45.22.02.06	45.22.02.09	45.22.02.00
45.22.22.03	45.23.22.04	45.22.22.05	45.22.22.06	45.22.22.09	45.22.22.00

Please contact your WERNER representative for more contact arrangement.

Non-Illuminated Twin Head Push button Model Selection

Appearance	Pushbutton Type	Type	Contact	Model No.	Model No.	Model No.	Model No.
				Red - Green	Black - Blue	Green - Green	Black - Blue
	Twin Head	Non-Illuminated	1NO-1NC	45.18.11.02.00	45.18.11.03.00	45.18.11.04.00	45.18.11.05.00
			2NO	45.18.20.02.00	45.18.20.03.00	45.18.20.04.00	45.18.20.05.00
			2NC	45.18.02.02.00	45.18.02.03.00	45.18.02.04.00	45.18.02.05.00
			2NO-2NC	45.18.22.02.00	45.18.22.03.00	45.18.22.04.00	45.18.22.05.00
			3NC	45.18.03.02.00	45.18.03.03.00	45.18.03.04.00	45.18.03.05.00
			4NO	45.18.40.02.00	45.18.40.03.00	45.18.40.04.00	45.18.40.05.00
			4NC	45.18.04.02.00	45.18.04.03.00	45.18.04.04.00	45.18.04.05.00
			1NO-2NC	45.18.12.02.00	45.18.12.03.00	45.18.12.04.00	45.18.12.05.00
2NO-1NC	45.18.21.02.00	45.18.21.03.00	45.18.21.04.00	45.18.21.05.00			

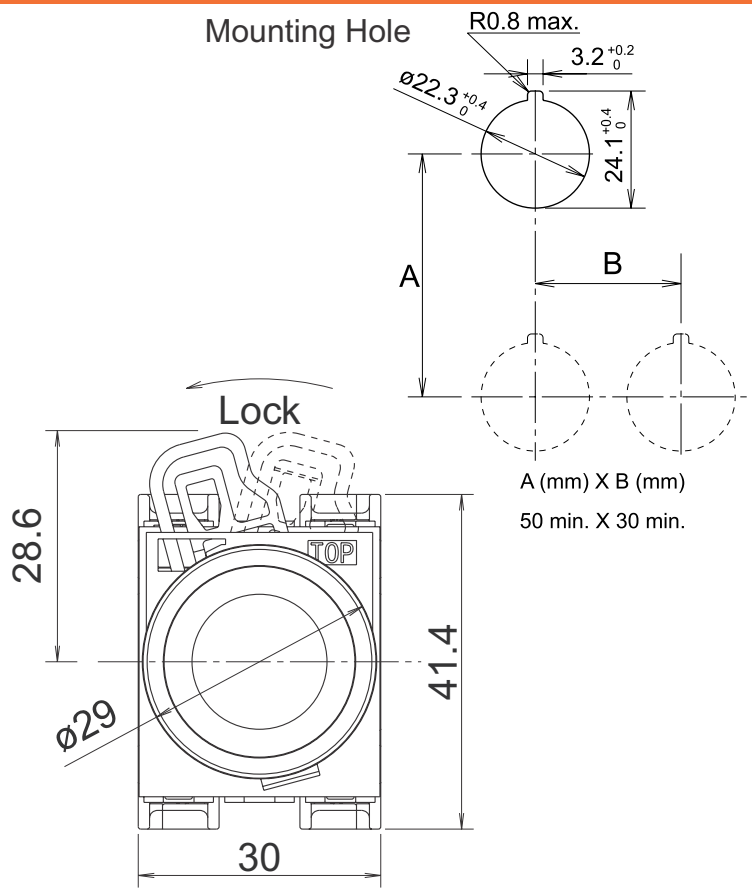
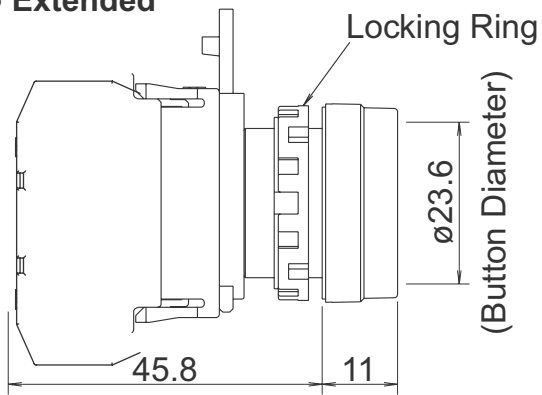
Illuminated Twin Head Push button Model Selection

Appearance	Pushbutton Type	Type	Contact	Voltage	Model No.	Model No.	Model No.	Model No.
					Red - Green	Black - Blue	Green - Green	Black - Blue
	Twin Head	Illuminated	1NO-1NC	12VAC/DC	45.28.11.02.12	45.28.11.03.12	45.28.11.04.12	45.28.11.05.12
			2NO		45.28.20.02.12	45.28.20.03.12	45.28.20.04.12	45.28.20.05.12
			2NC		45.28.02.02.12	45.28.02.03.12	45.28.02.04.12	45.28.02.05.12
			2NO-2NC		45.28.22.02.12	45.28.22.03.12	45.28.22.04.12	45.28.22.05.12
			3NC		45.28.03.02.12	45.28.03.03.12	45.28.03.04.12	45.28.03.05.12
			4NO		45.28.40.02.12	45.28.40.03.12	45.28.40.04.12	45.28.40.05.12
			4NC		45.28.04.02.12	45.28.04.03.12	45.28.04.04.12	45.28.04.05.12
			1NO-2NC		45.28.12.02.12	45.28.12.03.12	45.28.12.04.12	45.28.12.05.12
2NO-1NC	45.28.21.02.12	45.28.21.03.12	45.28.21.04.12	45.28.21.05.12				
	Twin Head	Illuminated	1NO-1NC	24VAC/DC	45.28.11.02.24	45.28.11.03.24	45.28.11.04.24	45.28.11.05.24
			2NO		45.28.20.02.24	45.28.20.03.24	45.28.20.04.24	45.18.20.05.24
			2NC		45.28.02.02.24	45.28.02.03.24	45.28.02.04.24	45.28.02.05.24
			2NO-2NC		45.28.22.02.24	45.28.22.03.24	45.28.22.04.24	45.28.22.05.24
			3NC		45.28.03.02.24	45.28.03.03.24	45.28.03.04.24	45.28.03.05.24
			4NO		45.28.40.02.24	45.28.40.03.24	45.28.40.04.24	45.28.40.05.24
			4NC		45.28.04.02.24	45.28.04.03.24	45.28.04.04.24	45.28.04.05.24
			1NO-2NC		45.28.12.02.24	45.28.12.03.24	45.28.12.04.24	45.28.12.05.24
2NO-1NC	45.28.21.02.24	45.28.21.03.24	45.28.21.04.24	45.28.21.05.24				
	Twin Head	Illuminated	1NO-1NC	110VAC	45.28.11.02.11	45.28.11.03.11	45.28.11.04.11	45.28.11.05.11
			2NO		45.28.20.02.11	45.28.20.03.11	45.28.20.04.11	45.28.20.05.11
			2NC		45.28.02.02.11	45.28.02.03.11	45.28.02.04.11	45.28.02.05.11
			2NO-2NC		45.28.22.02.11	45.28.22.03.11	45.28.22.04.11	45.28.22.05.11
			3NC		45.28.03.02.11	45.28.03.03.11	45.28.03.04.11	45.28.03.05.11
			4NO		45.28.40.02.11	45.28.40.03.11	45.28.40.04.11	45.28.40.05.11
			4NC		45.28.04.02.11	45.28.04.03.11	45.28.04.04.11	45.28.04.05.11
			1NO-2NC		45.28.12.02.11	45.28.12.03.11	45.28.12.04.11	45.28.12.05.11
2NO-1NC	45.28.21.02.11	45.28.21.03.11	45.28.21.04.11	45.28.21.05.11				
	Twin Head	Illuminated	1NO-1NC	230/240VAC	45.28.11.02.23	45.28.11.03.23	45.28.11.04.23	45.28.11.05.23
			2NO		45.28.20.02.23	45.28.20.03.23	45.28.20.04.23	45.28.20.05.23
			2NC		45.28.02.02.23	45.28.02.03.23	45.28.02.04.23	45.28.02.05.23
			2NO-2NC		45.28.22.02.23	45.28.22.03.23	45.28.22.04.23	45.28.22.05.23
			3NC		45.28.03.02.23	45.28.03.03.23	45.28.03.04.23	45.28.03.05.23
			4NO		45.28.40.02.23	45.28.40.03.23	45.28.40.04.23	45.28.40.05.23
			4NC		45.28.04.02.23	45.28.04.03.23	45.28.04.04.23	45.28.04.05.23
			1NO-2NC		45.28.12.02.23	45.28.12.03.23	45.28.12.04.23	45.28.12.05.23
2NO-1NC	45.28.21.02.23	45.28.21.03.23	45.28.21.04.23	45.28.21.05.23				

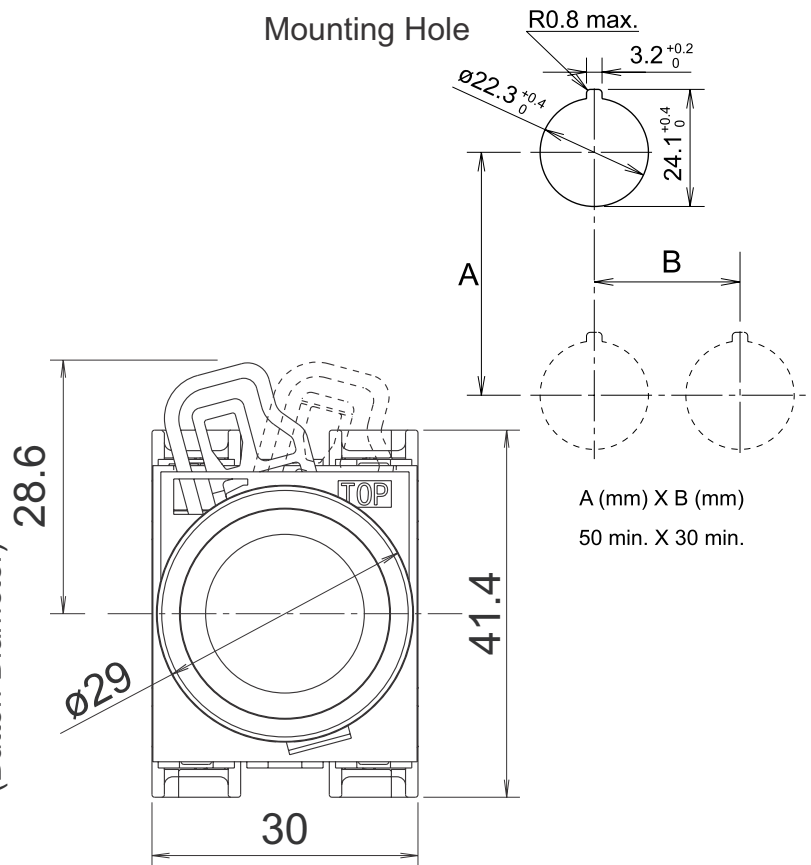
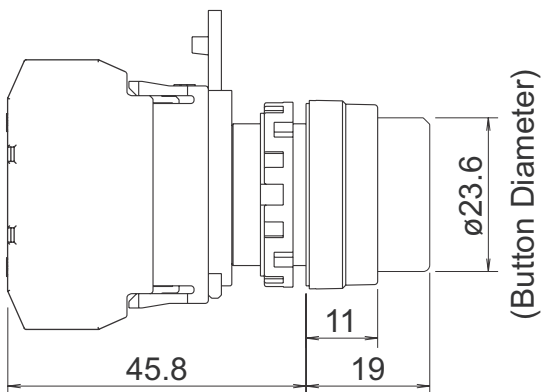
Dimensions - Pushbuttons



• Extended

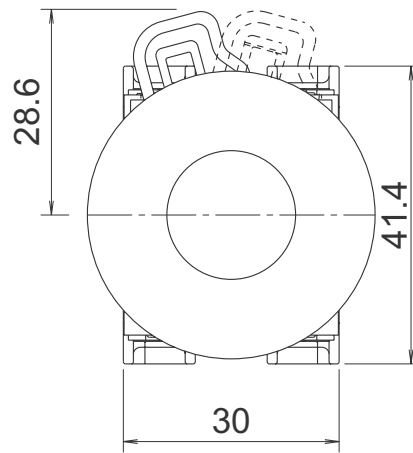


• Extended with Full Shroud

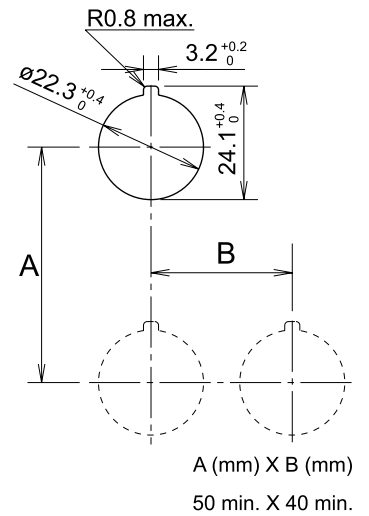


All dimensions in mm.

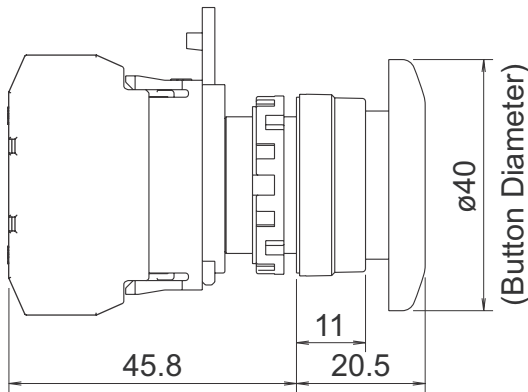
Dimensions - Pushbuttons



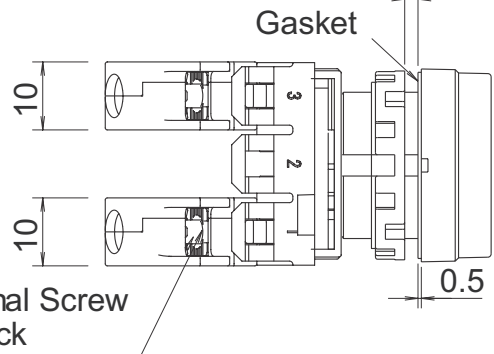
Mounting Hole



• Mushroom

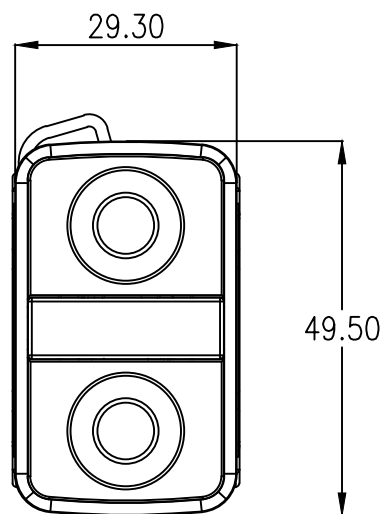
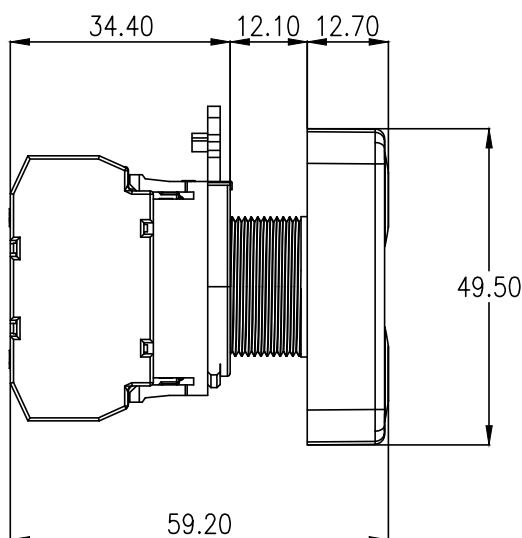


Panel Thickness: 0.8 to 6

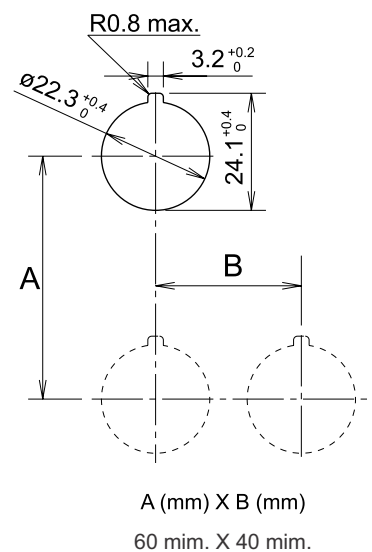


All dimensions in mm.





• Twin Head Illuminated / Non Illuminated



Mounting Hole



Illuminated Pushbutton Model Selection

Appearance	Pushbutton Type	Operation	Type	Contact	Model No.	Color			
					Red				
	Flush	Momentary	12V AC/DC	1NO	45.14.10.02.12				
				1NC	45.14.01.02.12				
				1NO-1NC	45.14.11.02.12				
				2NO	45.14.20.02.12				
				2NC	45.14.02.02.12				
			24V AC/DC	2NO-2NC	45.14.22.02.12				
				1NO	45.14.10.02.24				
				1NC	45.14.01.02.24				
				1NO-1NC	45.14.11.02.24				
				2NO	45.14.20.02.24	For more color options, refer to next page			
			110V AC/DC	2NC	45.14.02.02.24				
				2NO-2NC	45.14.22.02.24				
				1NO	45.14.10.02.11				
				1NC	45.14.01.02.11				
				1NO-1NC	45.14.11.02.11				
			2NO	45.14.20.02.11					
			2NC	45.14.02.02.11					
			230/240V AC/DC	2NO-2NC	45.14.22.02.11				
				1NO	45.14.10.02.23				
				1NC	45.14.01.02.23				
				1NO-1NC	45.14.11.02.23				
				2NO	45.14.20.02.23				
				Flush	Maintained	12V AC/DC	2NC	45.14.02.02.23	
							2NO-2NC	45.14.22.02.23	
24V AC/DC	1NO	45.24.10.02.12							
	1NC	45.24.01.02.12							
	1NO-1NC	45.24.11.02.12							
	2NO	45.24.20.02.12							
	2NC	45.24.02.02.12							
110V AC/DC	2NO-2NC	45.24.22.02.12							
	1NO	45.24.10.02.24							
	1NC	45.24.01.02.24							
	1NO-1NC	45.24.11.02.24							
	2NO	45.24.20.02.24				For more color options, refer to next page			
230/240V AC/DC	2NC	45.24.02.02.24							
	2NO-2NC	45.24.22.02.24							
	1NO	45.24.10.02.11							
	1NC	45.24.01.02.11							
	1NO-1NC	45.24.11.02.11							
2NO	45.24.20.02.11								
2NC	45.24.02.02.11								
230/240V AC/DC	2NO-2NC	45.24.22.02.11							
	1NO	45.24.10.02.23							
	1NC	45.24.01.02.23							
	1NO-1NC	45.24.23.02.23							
	2NO	45.24.20.02.23							
230/240V AC/DC	2NC	45.24.02.02.23							
	2NO-2NC	45.24.22.02.23							



LED Lamp type.

Illuminated Flush Pushbutton - Model Selection

Model No.				
Amber	Yellow	Green	Blue	White
45.14.10.03.12	45.14.10.04.12	45.14.10.05.12	45.14.10.06.12	45.14.10.09.12
45.14.01.03.12	45.14.01.04.12	45.14.01.05.12	45.14.01.06.12	45.14.01.09.12
45.14.11.03.12	45.14.11.04.12	45.14.11.05.12	45.14.11.06.12	45.14.11.09.12
45.14.20.03.12	45.14.20.04.12	45.14.20.05.12	45.14.20.06.12	45.14.20.09.12
45.14.02.03.12	45.14.02.04.12	45.14.02.05.12	45.14.02.06.12	45.14.02.09.12
45.14.22.03.12	45.14.22.04.12	45.14.22.05.12	45.14.22.06.12	45.14.22.09.12
45.14.10.03.24	45.14.10.04.24	45.14.10.05.24	45.14.10.06.24	45.14.10.09.24
45.14.01.03.24	45.14.01.04.24	45.14.01.05.24	45.14.01.06.24	45.14.01.09.24
45.14.11.03.24	45.14.11.04.24	45.14.11.05.24	45.14.11.06.24	45.14.11.09.24
45.14.20.03.24	45.14.20.04.24	45.14.20.05.24	45.14.20.06.24	45.14.20.09.24
45.14.02.03.24	45.14.02.04.24	45.14.02.05.24	45.14.02.06.24	45.14.02.09.24
45.14.22.03.24	45.14.22.04.24	45.14.22.05.24	45.14.22.06.24	45.14.22.09.24
45.14.10.03.11	45.14.10.04.11	45.14.10.05.11	45.14.10.06.11	45.14.10.09.11
45.14.01.03.11	45.14.01.04.11	45.14.01.05.11	45.14.01.06.11	45.14.01.09.11
45.14.11.03.11	45.14.11.04.11	45.14.11.05.11	45.14.11.06.11	45.14.11.09.11
45.14.20.03.11	45.14.20.04.11	45.14.20.05.11	45.14.20.06.11	45.14.20.09.11
45.14.02.03.11	45.14.02.04.11	45.14.02.05.11	45.14.02.06.11	45.14.02.09.11
45.14.22.03.11	45.14.22.04.11	45.14.22.05.11	45.14.22.06.11	45.14.22.09.11
45.14.10.03.23	45.14.10.04.23	45.14.10.05.23	45.14.10.06.23	45.14.10.09.23
45.14.01.03.23	45.14.01.04.23	45.14.01.05.23	45.14.01.06.23	45.14.01.09.23
45.14.11.03.23	45.14.11.04.23	45.14.11.05.23	45.14.11.06.23	45.14.11.09.23
45.14.20.03.23	45.14.20.04.23	45.14.20.05.23	45.14.20.06.23	45.14.20.09.23
45.14.02.03.23	45.14.02.04.23	45.14.02.05.23	45.14.02.06.23	45.14.02.09.23
45.14.22.03.23	45.14.22.04.23	45.14.22.05.23	45.14.22.06.23	45.14.22.09.23
45.24.10.03.12	45.24.10.04.12	45.24.10.05.12	45.24.10.06.12	45.24.10.09.12
45.24.01.03.12	45.24.01.04.12	45.24.01.05.12	45.24.01.06.12	45.24.01.09.12
45.24.11.03.12	45.24.11.04.12	45.24.11.05.12	45.24.11.06.12	45.24.11.09.12
45.24.20.03.12	45.24.20.04.12	45.24.20.05.12	45.24.20.06.12	45.24.20.09.12
45.24.02.03.12	45.24.02.04.12	45.24.02.05.12	45.24.02.06.12	45.24.02.09.12
45.24.22.03.12	45.24.22.04.12	45.24.22.05.12	45.24.22.06.12	45.24.22.09.12
45.24.10.03.24	45.24.10.04.24	45.24.10.05.24	45.24.10.06.24	45.24.10.09.24
45.24.01.03.24	45.24.01.04.24	45.24.01.05.24	45.24.01.06.24	45.24.01.09.24
45.24.11.03.24	45.24.11.04.24	45.24.11.05.24	45.24.11.06.24	45.24.11.09.24
45.24.20.03.24	45.24.20.04.24	45.24.20.05.24	45.24.20.06.24	45.24.20.09.24
45.24.02.03.24	45.24.02.04.24	45.24.02.05.24	45.24.02.06.24	45.24.02.09.24
45.24.22.03.24	45.24.22.04.24	45.24.22.05.24	45.24.22.06.24	45.24.22.09.24
45.24.10.03.11	45.24.10.04.11	45.24.10.05.11	45.24.10.06.11	45.24.10.09.11
45.24.01.03.11	45.24.01.04.11	45.24.01.05.11	45.24.01.06.11	45.24.01.09.11
45.24.11.03.11	45.24.11.04.11	45.24.11.05.11	45.24.11.06.11	45.24.11.09.11
45.24.20.03.11	45.24.20.04.11	45.24.20.05.11	45.24.20.06.11	45.24.20.09.11
45.24.02.03.11	45.24.02.04.11	45.24.02.05.11	45.24.02.06.11	45.24.02.09.11
45.24.22.03.11	45.24.22.04.11	45.24.22.05.11	45.24.22.06.11	45.24.22.09.11
45.24.10.03.23	45.24.10.04.23	45.24.10.05.23	45.24.10.06.23	45.24.10.09.23
45.24.01.03.23	45.24.01.04.23	45.24.01.05.23	45.24.01.06.23	45.24.01.09.23
45.24.23.03.23	45.24.23.04.23	45.24.23.05.23	45.24.23.06.23	45.24.23.09.23
45.24.20.03.23	45.24.20.04.23	45.24.20.05.23	45.24.20.06.23	45.24.20.09.23
45.24.02.03.23	45.24.02.04.23	45.24.02.05.23	45.24.02.06.23	45.24.02.09.23
45.24.22.03.23	45.24.22.04.23	45.24.22.05.23	45.24.22.06.23	45.24.22.09.23

Please contact your WERNER representative for more contact arrangement.

Illuminated Extended Pushbutton - Model Selection

Appearance	Pushbutton Type	Operation	Voltage	Contact	Model No.	Color	
					Red		
	Extended	Momentary	12V AC/DC	1NO	45.15.10.02.12		
				1NC	45.15.01.02.12		
				1NO-1NC	45.15.11.02.12		
				2NO	45.15.20.02.12		
				2NC	45.15.02.02.12		
			24V AC/DC	2NO-2NC	45.15.22.02.12		
				1NO	45.15.10.02.24		
				1NC	45.15.01.02.24		
				1NO-1NC	45.15.11.02.24		
				2NO	45.15.20.02.24	For more color options, refer to next page 	
			2NC	45.15.02.02.24			
			2NO-2NC	45.15.22.02.24			
			110V AC/DC	1NO	45.15.10.02.11		
				1NC	45.15.01.02.11		
				1NO-1NC	45.15.11.02.11		
				2NO	45.15.20.02.11		
				2NC	45.15.02.02.11		
			230/240V AC/DC	2NO-2NC	45.15.22.02.11		
				1NO	45.15.10.02.23		
				1NC	45.15.01.02.23		
1NO-1NC	45.15.11.02.23						
2NO	45.15.20.02.23						
	2NC	45.15.02.02.23					
	2NO-2NC	45.15.22.02.23					
		Extended	Maintained	12V AC/DC	1NO	45.25.10.02.12	
					1NC	45.25.01.02.12	
					1NO-1NC	45.25.11.02.12	
2NO					45.25.20.02.12		
2NC					45.25.02.02.12		
24V AC/DC				2NO-2NC	45.25.22.02.12		
				1NO	45.25.10.02.24		
				1NC	45.25.01.02.24		
				1NO-1NC	45.25.11.02.24		
				2NO	45.25.20.02.24	For more color options, refer to next page 	
2NC				45.25.02.02.24			
2NO-2NC				45.25.22.02.24			
110V AC/DC				1NO	45.25.10.02.11		
				1NC	45.25.01.02.11		
				1NO-1NC	45.25.11.02.11		
				2NO	45.25.20.02.11		
				2NC	45.25.02.02.11		
230/240V AC/DC				2NO-2NC	45.25.22.02.11		
				1NO	45.25.10.02.23		
				1NC	45.25.01.02.23		
	1NO-1NC	45.25.11.02.23					
	2NO	45.25.20.02.23					
	2NC	45.25.02.02.23					
	2NO-2NC	45.25.22.02.23					





LED Lamp type.

Illuminated Extended Pushbutton - Model Selection

Model No.				
Amber	Yellow	Green	Blue	White
45.15.10.03.12	45.15.10.04.12	45.15.10.05.12	45.15.10.06.12	45.15.10.09.12
45.15.01.03.12	45.15.01.04.12	45.15.01.05.12	45.15.01.06.12	45.15.01.09.12
45.15.11.03.12	45.15.11.04.12	45.15.11.05.12	45.15.11.06.12	45.15.11.09.12
45.15.20.03.12	45.15.20.04.12	45.15.20.05.12	45.15.20.06.12	45.15.20.09.12
45.15.02.03.12	45.15.02.04.12	45.15.02.05.12	45.15.02.06.12	45.15.02.09.12
45.15.22.03.12	45.15.22.04.12	45.15.22.05.12	45.15.22.06.12	45.15.22.09.12
45.15.10.03.24	45.15.10.04.24	45.15.10.05.24	45.15.10.06.24	45.15.10.09.24
45.15.01.03.24	45.15.01.04.24	45.15.01.05.24	45.15.01.06.24	45.15.01.09.24
45.15.11.03.24	45.15.11.04.24	45.15.11.05.24	45.15.11.06.24	45.15.11.09.24
45.15.20.03.24	45.15.20.04.24	45.15.20.05.24	45.15.20.06.24	45.15.20.09.24
45.15.02.03.24	45.15.02.04.24	45.15.02.05.24	45.15.02.06.24	45.15.02.09.24
45.15.22.03.24	45.15.22.04.24	45.15.22.05.24	45.15.22.06.24	45.15.22.09.24
45.15.10.03.11	45.15.10.04.11	45.15.10.05.11	45.15.10.06.11	45.15.10.09.11
45.15.01.03.11	45.15.01.04.11	45.15.01.05.11	45.15.01.06.11	45.15.01.09.11
45.15.11.03.11	45.15.11.04.11	45.15.11.05.11	45.15.11.06.11	45.15.11.09.11
45.15.20.03.11	45.15.20.04.11	45.15.20.05.11	45.15.20.06.11	45.15.20.09.11
45.15.02.03.11	45.15.02.04.11	45.15.02.05.11	45.15.02.06.11	45.15.02.09.11
45.15.22.03.11	45.15.22.04.11	45.15.22.05.11	45.15.22.06.11	45.15.22.09.11
45.15.10.03.23	45.15.10.04.23	45.15.10.05.23	45.15.10.06.23	45.15.10.09.23
45.15.01.03.23	45.15.01.04.23	45.15.01.05.23	45.15.01.06.23	45.15.01.09.23
45.15.11.03.23	45.15.11.04.23	45.15.11.05.23	45.15.11.06.23	45.15.11.09.23
45.15.20.03.23	45.15.20.04.23	45.15.20.05.23	45.15.20.06.23	45.15.20.09.23
45.15.02.03.23	45.15.02.04.23	45.15.02.05.23	45.15.02.06.23	45.15.02.09.23
45.15.22.03.23	45.15.22.04.23	45.15.22.05.23	45.15.22.06.23	45.15.22.09.23
45.25.10.03.12	45.25.10.04.12	45.25.10.05.12	45.25.10.06.12	45.25.10.09.12
45.25.01.03.12	45.25.01.04.12	45.25.01.05.12	45.25.01.06.12	45.25.01.09.12
45.25.11.03.12	45.25.11.04.12	45.25.11.05.12	45.25.11.06.12	45.25.11.09.12
45.25.20.03.12	45.25.20.04.12	45.25.20.05.12	45.25.20.06.12	45.25.20.09.12
45.25.02.03.12	45.25.02.04.12	45.25.02.05.12	45.25.02.06.12	45.25.02.09.12
45.25.22.03.12	45.25.22.04.12	45.25.22.05.12	45.25.22.06.12	45.25.22.09.12
45.25.10.03.24	45.25.10.04.24	45.25.10.05.24	45.25.10.06.24	45.25.10.09.24
45.25.01.03.24	45.25.01.04.24	45.25.01.05.24	45.25.01.06.24	45.25.01.09.24
45.25.11.03.24	45.25.11.04.24	45.25.11.05.24	45.25.11.06.24	45.25.11.09.24
45.25.20.03.24	45.25.20.04.24	45.25.20.05.24	45.25.20.06.24	45.25.20.09.24
45.25.02.03.24	45.25.02.04.24	45.25.02.05.24	45.25.02.06.24	45.25.02.09.24
45.25.22.03.24	45.25.22.04.24	45.25.22.05.24	45.25.22.06.24	45.25.22.09.24
45.25.10.03.11	45.25.10.04.11	45.25.10.05.11	45.25.10.06.11	45.25.10.09.11
45.25.01.03.11	45.25.01.04.11	45.25.01.05.11	45.25.01.06.11	45.25.01.09.11
45.25.11.03.11	45.25.11.04.11	45.25.11.05.11	45.25.11.06.11	45.25.11.09.11
45.25.20.03.11	45.25.20.04.11	45.25.20.05.11	45.25.20.06.11	45.25.20.09.11
45.25.02.03.11	45.25.02.04.11	45.25.02.05.11	45.25.02.06.11	45.25.02.09.11
45.25.22.03.11	45.25.22.04.11	45.25.22.05.11	45.25.22.06.11	45.25.22.09.11
45.25.10.03.23	45.25.10.04.23	45.25.10.05.23	45.25.10.06.23	45.25.10.09.23
45.25.01.03.23	45.25.01.04.23	45.25.01.05.23	45.25.01.06.23	45.25.01.09.23
45.25.23.03.23	45.25.23.04.23	45.25.23.05.23	45.25.23.06.23	45.25.23.09.23
45.25.20.03.23	45.25.20.04.23	45.25.20.05.23	45.25.20.06.23	45.25.20.09.23
45.25.02.03.23	45.25.02.04.23	45.25.02.05.23	45.25.02.06.23	45.25.02.09.23
45.25.22.03.23	45.25.22.04.23	45.25.22.05.23	45.25.22.06.23	45.25.22.09.23

Please contact your WERNER representative for more contact arrangement.

Illuminated Extended Full Shroud Pushbutton - Model Selection

Appearance	Pushbutton Type	Operation	Voltage	Contact	Model No.	Color
					Red ■	
	Extended With Full Shroud	Momentary	12V AC/DC	1NO	45.16.10.02.12	
				1NC	45.16.01.02.12	
				1NO-1NC	45.16.11.02.12	
				2NO	45.16.20.02.12	
				2NC	45.16.02.02.12	
			24V AC/DC	2NO-2NC	45.16.22.02.12	
				1NO	45.16.10.02.24	
				1NC	45.16.01.02.24	
				1NO-1NC	45.16.11.02.24	
				2NO	45.16.20.02.24	For more
			110V AC/DC	2NC	45.16.02.02.24	color options,
				2NO-2NC	45.16.22.02.24	refer to next
				1NO	45.16.10.02.11	page
				1NC	45.16.01.02.11	
				1NO-1NC	45.16.11.02.11	
			230/240V AC/DC	2NO	45.16.20.02.11	
				2NC	45.16.02.02.11	
				2NO-2NC	45.16.22.02.11	
				1NO	45.16.10.02.23	
				1NC	45.16.01.02.23	
12V AC/DC	1NO-1NC	45.16.11.02.23				
	2NO	45.16.20.02.23				
	2NC	45.16.02.02.23				
	2NO-2NC	45.16.22.02.23				
		Extended With Full Shroud	Maintained	12V AC/DC	1NO	45.26.10.02.12
1NC					45.26.01.02.12	
1NO-1NC					45.26.11.02.12	
2NO					45.26.20.02.12	
2NC					45.26.02.02.12	
24V AC/DC				2NO-2NC	45.26.22.02.12	
				1NO	45.26.10.02.24	
				1NC	45.26.01.02.24	
				1NO-1NC	45.26.11.02.24	
				2NO	45.26.20.02.24	For more
110V AC/DC				2NC	45.26.02.02.24	color options,
				2NO-2NC	45.26.22.02.24	refer to next
				1NO	45.26.10.02.11	page
				1NC	45.26.01.02.11	
				1NO-1NC	45.26.11.02.11	
230/240V AC/DC				2NO	45.26.20.02.11	
				2NC	45.26.02.02.11	
				2NO-2NC	45.26.22.02.11	
				1NO	45.26.10.02.23	
				1NC	45.26.01.02.23	
12V AC/DC	1NO-1NC	45.26.11.02.23				
	2NO	45.26.20.02.23				
	2NC	45.26.02.02.23				
	2NO-2NC	45.26.22.02.23				






LED Lamp type.

Illuminated Extended Full Shroud Pushbutton - Model Selection

Model No.				
Amber	Yellow	Green	Blue	White
45.16.10.03.12	45.16.10.04.12	45.16.10.05.12	45.16.10.06.12	45.16.10.09.12
45.16.01.03.12	45.16.01.04.12	45.16.01.05.12	45.16.01.06.12	45.16.01.09.12
45.16.11.03.12	45.16.11.04.12	45.16.11.05.12	45.16.11.06.12	45.16.11.09.12
45.16.20.03.12	45.16.20.04.12	45.16.20.05.12	45.16.20.06.12	45.16.20.09.12
45.16.02.03.12	45.16.02.04.12	45.16.02.05.12	45.16.02.06.12	45.16.02.09.12
45.16.22.03.12	45.16.22.04.12	45.16.22.05.12	45.16.22.06.12	45.16.22.09.12
45.16.10.03.24	45.16.10.04.24	45.16.10.05.24	45.16.10.06.24	45.16.10.09.24
45.16.01.03.24	45.16.01.04.24	45.16.01.05.24	45.16.01.06.24	45.16.01.09.24
45.16.11.03.24	45.16.11.04.24	45.16.11.05.24	45.16.11.06.24	45.16.11.09.24
45.16.20.03.24	45.16.20.04.24	45.16.20.05.24	45.16.20.06.24	45.16.20.09.24
45.16.02.03.24	45.16.02.04.24	45.16.02.05.24	45.16.02.06.24	45.16.02.09.24
45.16.22.03.24	45.16.22.04.24	45.16.22.05.24	45.16.22.06.24	45.16.22.09.24
45.16.10.03.11	45.16.10.04.11	45.16.10.05.11	45.16.10.06.11	45.16.10.09.11
45.16.01.03.11	45.16.01.04.11	45.16.01.05.11	45.16.01.06.11	45.16.01.09.11
45.16.11.03.11	45.16.11.04.11	45.16.11.05.11	45.16.11.06.11	45.16.11.09.11
45.16.20.03.11	45.16.20.04.11	45.16.20.05.11	45.16.20.06.11	45.16.20.09.11
45.16.02.03.11	45.16.02.04.11	45.16.02.05.11	45.16.02.06.11	45.16.02.09.11
45.16.22.03.11	45.16.22.04.11	45.16.22.05.11	45.16.22.06.11	45.16.22.09.11
45.16.10.03.23	45.16.10.04.23	45.16.10.05.23	45.16.10.06.23	45.16.10.09.23
45.16.01.03.23	45.16.01.04.23	45.16.01.05.23	45.16.01.06.23	45.16.01.09.23
45.16.11.03.23	45.16.11.04.23	45.16.11.05.23	45.16.11.06.23	45.16.11.09.23
45.16.20.03.23	45.16.20.04.23	45.16.20.05.23	45.16.20.06.23	45.16.20.09.23
45.16.02.03.23	45.16.02.04.23	45.16.02.05.23	45.16.02.06.23	45.16.02.09.23
45.16.22.03.23	45.16.22.04.23	45.16.22.05.23	45.16.22.06.23	45.16.22.09.23
45.26.10.03.12	45.26.10.04.12	45.26.10.05.12	45.26.10.06.12	45.26.10.09.12
45.26.01.03.12	45.26.01.04.12	45.26.01.05.12	45.26.01.06.12	45.26.01.09.12
45.26.11.03.12	45.26.11.04.12	45.26.11.05.12	45.26.11.06.12	45.26.11.09.12
45.26.20.03.12	45.26.20.04.12	45.26.20.05.12	45.26.20.06.12	45.26.20.09.12
45.26.02.03.12	45.26.02.04.12	45.26.02.05.12	45.26.02.06.12	45.26.02.09.12
45.26.22.03.12	45.26.22.04.12	45.26.22.05.12	45.26.22.06.12	45.26.22.09.12
45.26.10.03.24	45.26.10.04.24	45.26.10.05.24	45.26.10.06.24	45.26.10.09.24
45.26.01.03.24	45.26.01.04.24	45.26.01.05.24	45.26.01.06.24	45.26.01.09.24
45.26.11.03.24	45.26.11.04.24	45.26.11.05.24	45.26.11.06.24	45.26.11.09.24
45.26.20.03.24	45.26.20.04.24	45.26.20.05.24	45.26.20.06.24	45.26.20.09.24
45.26.02.03.24	45.26.02.04.24	45.26.02.05.24	45.26.02.06.24	45.26.02.09.24
45.26.22.03.24	45.26.22.04.24	45.26.22.05.24	45.26.22.06.24	45.26.22.09.24
45.26.10.03.11	45.26.10.04.11	45.26.10.05.11	45.26.10.06.11	45.26.10.09.11
45.26.01.03.11	45.26.01.04.11	45.26.01.05.11	45.26.01.06.11	45.26.01.09.11
45.26.11.03.11	45.26.11.04.11	45.26.11.05.11	45.26.11.06.11	45.26.11.09.11
45.26.20.03.11	45.26.20.04.11	45.26.20.05.11	45.26.20.06.11	45.26.20.09.11
45.26.02.03.11	45.26.02.04.11	45.26.02.05.11	45.26.02.06.11	45.26.02.09.11
45.26.22.03.11	45.26.22.04.11	45.26.22.05.11	45.26.22.06.11	45.26.22.09.11
45.26.10.03.23	45.26.10.04.23	45.26.10.05.23	45.26.10.06.23	45.26.10.09.23
45.26.01.03.23	45.26.01.04.23	45.26.01.05.23	45.26.01.06.23	45.26.01.09.23
45.26.23.03.23	45.26.23.04.23	45.26.23.05.23	45.26.23.06.23	45.26.23.09.23
45.26.20.03.23	45.26.20.04.23	45.26.20.05.23	45.26.20.06.23	45.26.20.09.23
45.26.02.03.23	45.26.02.04.23	45.26.02.05.23	45.26.02.06.23	45.26.02.09.23
45.26.22.03.23	45.26.22.04.23	45.26.22.05.23	45.26.22.06.23	45.26.22.09.23

Please contact your WERNER representative for more contact arrangement.

Illuminated Mushroom Pushbutton - Model Selection

Appearance	Pushbutton Type	Operation	Voltage	Contact	Model No.	Color
					Red 	
	Mushroom	Momentary	12V AC/DC	1NO	45.17.10.02.12	
				1NC	45.17.01.02.12	
				1NO-1NC	45.17.11.02.12	
				2NO	45.17.20.02.12	
				2NC	45.17.02.02.12	
			2NO-2NC	45.17.22.02.12		
			24V AC/DC	1NO	45.17.10.02.24	
				1NC	45.17.01.02.24	
				1NO-1NC	45.17.11.02.24	
				2NO	45.17.20.02.24	For more
				2NC	45.17.02.02.24	color options,
			2NO-2NC	45.17.22.02.24	refer to next	
			110V AC/DC	1NO	45.17.10.02.11	
				1NC	45.17.01.02.11	
				1NO-1NC	45.17.11.02.11	
				2NO	45.17.20.02.11	
				2NC	45.17.02.02.11	
			2NO-2NC	45.17.22.02.11		
			230/240V AC/DC	1NO	45.17.10.02.23	
				1NC	45.17.01.02.23	
1NO-1NC	45.17.11.02.23					
2NO	45.17.20.02.23					
2NC	45.17.02.02.23					
2NO-2NC	45.17.22.02.23					
	Mushroom	Maintained	12V AC/DC	1NO	45.27.10.02.12	
				1NC	45.27.01.02.12	
				1NO-1NC	45.27.11.02.12	
				2NO	45.27.20.02.12	
				2NC	45.27.02.02.12	
			2NO-2NC	45.27.22.02.12		
			24V AC/DC	1NO	45.27.10.02.24	
				1NC	45.27.01.02.24	
				1NO-1NC	45.27.11.02.24	
				2NO	45.27.20.02.24	For more
				2NC	45.27.02.02.24	color options,
			2NO-2NC	45.27.22.02.24	refer to next	
			110V AC/DC	1NO	45.27.10.02.11	
				1NC	45.27.01.02.11	
				1NO-1NC	45.27.11.02.11	
				2NO	45.27.20.02.11	
				2NC	45.27.02.02.11	
			2NO-2NC	45.27.22.02.11		
			230/240V AC/DC	1NO	45.27.10.02.23	
				1NC	45.27.01.02.23	
1NO-1NC	45.27.23.02.23					
2NO	45.27.20.02.23					
2NC	45.27.02.02.23					
2NO-2NC	45.27.22.02.23					

LED Lamp type.

Illuminated Mushroom Pushbutton - Model Selection

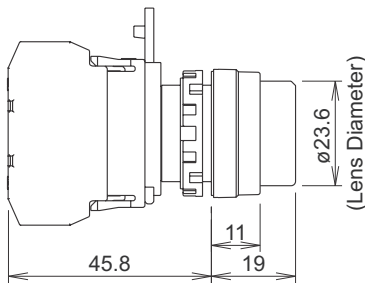
Model No.				
Amber	Yellow	Green	Blue	White
45.17.10.03.12	45.17.10.04.12	45.17.10.05.12	45.17.10.06.12	45.17.10.09.12
45.17.01.03.12	45.17.01.04.12	45.17.01.05.12	45.17.01.06.12	45.17.01.09.12
45.17.11.03.12	45.17.11.04.12	45.17.11.05.12	45.17.11.06.12	45.17.11.09.12
45.17.20.03.12	45.17.20.04.12	45.17.20.05.12	45.17.20.06.12	45.17.20.09.12
45.17.02.03.12	45.17.02.04.12	45.17.02.05.12	45.17.02.06.12	45.17.02.09.12
45.17.22.03.12	45.17.22.04.12	45.17.22.05.12	45.17.22.06.12	45.17.22.09.12
45.17.10.03.24	45.17.10.04.24	45.17.10.05.24	45.17.10.06.24	45.17.10.09.24
45.17.01.03.24	45.17.01.04.24	45.17.01.05.24	45.17.01.06.24	45.17.01.09.24
45.17.11.03.24	45.17.11.04.24	45.17.11.05.24	45.17.11.06.24	45.17.11.09.24
45.17.20.03.24	45.17.20.04.24	45.17.20.05.24	45.17.20.06.24	45.17.20.09.24
45.17.02.03.24	45.17.02.04.24	45.17.02.05.24	45.17.02.06.24	45.17.02.09.24
45.17.22.03.24	45.17.22.04.24	45.17.22.05.24	45.17.22.06.24	45.17.22.09.24
45.17.10.03.11	45.17.10.04.11	45.17.10.05.11	45.17.10.06.11	45.17.10.09.11
45.17.01.03.11	45.17.01.04.11	45.17.01.05.11	45.17.01.06.11	45.17.01.09.11
45.17.11.03.11	45.17.11.04.11	45.17.11.05.11	45.17.11.06.11	45.17.11.09.11
45.17.20.03.11	45.17.20.04.11	45.17.20.05.11	45.17.20.06.11	45.17.20.09.11
45.17.02.03.11	45.17.02.04.11	45.17.02.05.11	45.17.02.06.11	45.17.02.09.11
45.17.22.03.11	45.17.22.04.11	45.17.22.05.11	45.17.22.06.11	45.17.22.09.11
45.17.10.03.23	45.17.10.04.23	45.17.10.05.23	45.17.10.06.23	45.17.10.09.23
45.17.01.03.23	45.17.01.04.23	45.17.01.05.23	45.17.01.06.23	45.17.01.09.23
45.17.11.03.23	45.17.11.04.23	45.17.11.05.23	45.17.11.06.23	45.17.11.09.23
45.17.20.03.23	45.17.20.04.23	45.17.20.05.23	45.17.20.06.23	45.17.20.09.23
45.17.02.03.23	45.17.02.04.23	45.17.02.05.23	45.17.02.06.23	45.17.02.09.23
45.17.22.03.23	45.17.22.04.23	45.17.22.05.23	45.17.22.06.23	45.17.22.09.23
45.27.10.03.12	45.27.10.04.12	45.27.10.05.12	45.27.10.06.12	45.27.10.09.12
45.27.01.03.12	45.27.01.04.12	45.27.01.05.12	45.27.01.06.12	45.27.01.09.12
45.27.11.03.12	45.27.11.04.12	45.27.11.05.12	45.27.11.06.12	45.27.11.09.12
45.27.20.03.12	45.27.20.04.12	45.27.20.05.12	45.27.20.06.12	45.27.20.09.12
45.27.02.03.12	45.27.02.04.12	45.27.02.05.12	45.27.02.06.12	45.27.02.09.12
45.27.22.03.12	45.27.22.04.12	45.27.22.05.12	45.27.22.06.12	45.27.22.09.12
45.27.10.03.24	45.27.10.04.24	45.27.10.05.24	45.27.10.06.24	45.27.10.09.24
45.27.01.03.24	45.27.01.04.24	45.27.01.05.24	45.27.01.06.24	45.27.01.09.24
45.27.11.03.24	45.27.11.04.24	45.27.11.05.24	45.27.11.06.24	45.27.11.09.24
45.27.20.03.24	45.27.20.04.24	45.27.20.05.24	45.27.20.06.24	45.27.20.09.24
45.27.02.03.24	45.27.02.04.24	45.27.02.05.24	45.27.02.06.24	45.27.02.09.24
45.27.22.03.24	45.27.22.04.24	45.27.22.05.24	45.27.22.06.24	45.27.22.09.24
45.27.10.03.11	45.27.10.04.11	45.27.10.05.11	45.27.10.06.11	45.27.10.09.11
45.27.01.03.11	45.27.01.04.11	45.27.01.05.11	45.27.01.06.11	45.27.01.09.11
45.27.11.03.11	45.27.11.04.11	45.27.11.05.11	45.27.11.06.11	45.27.11.09.11
45.27.20.03.11	45.27.20.04.11	45.27.20.05.11	45.27.20.06.11	45.27.20.09.11
45.27.02.03.11	45.27.02.04.11	45.27.02.05.11	45.27.02.06.11	45.27.02.09.11
45.27.22.03.11	45.27.22.04.11	45.27.22.05.11	45.27.22.06.11	45.27.22.09.11
45.27.10.03.23	45.27.10.04.23	45.27.10.05.23	45.27.10.06.23	45.27.10.09.23
45.27.01.03.23	45.27.01.04.23	45.27.01.05.23	45.27.01.06.23	45.27.01.09.23
45.27.23.03.23	45.27.23.04.23	45.27.23.05.23	45.27.23.06.23	45.27.23.09.23
45.27.20.03.23	45.27.20.04.23	45.27.20.05.23	45.27.20.06.23	45.27.20.09.23
45.27.02.03.23	45.27.02.04.23	45.27.02.05.23	45.27.02.06.23	45.27.02.09.23
45.27.22.03.23	45.27.22.04.23	45.27.22.05.23	45.27.22.06.23	45.27.22.09.23

Please contact your WERNER representative for more contact arrangement.

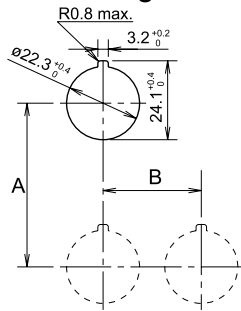
Dimensions - Illuminated Pushbuttons



• Extended



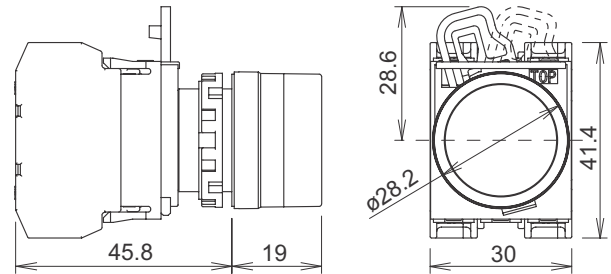
Mounting Hole



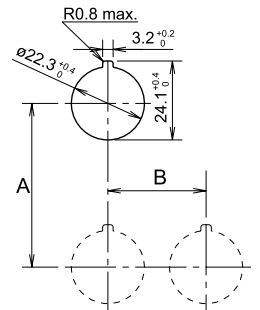
A (mm) X B (mm)
50 min. X 30 min.



• Extended with Full Shroud



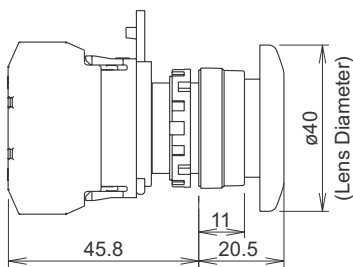
Mounting Hole



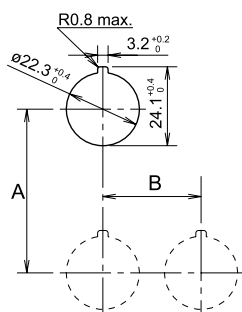
A (mm) X B (mm)
50 min. X 30 min.



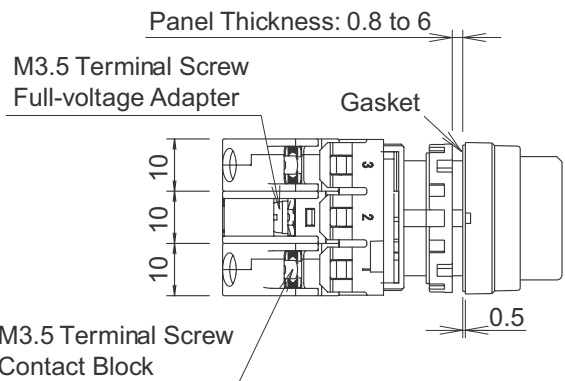
• Mushroom



Mounting Hole



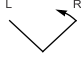

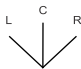
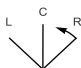
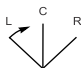
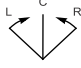


A (mm) X B (mm)
50 min. X 40 min.









All dimensions in mm.

Non-Illuminated Selector Switch Model Selection

Appearance	Pushbutton Type	Position	Operation	Color	Figure	Contact	Model No.
	Non-Illuminated Selector Switch	90° 2 Positions	Maintained	Black		1NO	45.30.10.00
						1NC	45.30.01.00
						1NO-1NC	45.30.11.00
						2NO	45.30.20.00
						2NC	45.30.02.00
						2NO-2NC	45.30.22.00
						3NO	45.30.30.00
			3NC	45.30.03.00			
			Spring Return from Right to Left	Black		1NO	45.31.10.00
						1NC	45.31.01.00
						1NO-1NC	45.31.11.00
						2NO	45.31.20.00
						2NC	45.31.02.00
						2NO-2NC	45.31.22.00
3NO	45.31.30.00						
3NC	45.31.03.00						
	Non-Illuminated Selector Switch	45° 3 Positions	Maintained	Black		1NO	45.32.10.00
						1NC	45.32.01.00
						1NO-1NC	45.32.11.00
						2NO	45.32.20.00
						2NC	45.32.02.00
						2NO-2NC	45.32.22.00
						3NO	45.32.30.00
						3NC	45.32.03.00
			Spring Return from Right to Center	Black		1NO	45.33.10.00
						1NC	45.33.01.00
						1NO-1NC	45.33.11.00
						2NO	45.33.20.00
						2NC	45.33.02.00
						2NO-2NC	45.33.22.00
						3NO	45.33.30.00
						3NC	45.33.03.00
			Spring Return from Left to Center	Black		1NO	45.34.10.00
						1NC	45.34.01.00
						1NO-1NC	45.34.11.00
						2NO	45.34.20.00
						2NC	45.34.02.00
						2NO-2NC	45.34.22.00
						3NO	45.34.30.00
						3NC	45.34.03.00
Spring Return Two Ways	Black		1NO	45.35.10.00			
			1NC	45.35.01.00			
			1NO-1NC	45.35.11.00			
			2NO	45.35.20.00			
			2NC	45.35.02.00			
			2NO-2NC	45.35.22.00			
			3NO	45.35.30.00			
			3NC	45.35.03.00			
4NO	45.35.40.00						
4NC	45.35.04.00						

Please contact your WERNER representative for more contact arrangement.





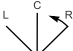

Illuminated Selector Switch Model Selection

Appearance	Type	Lamp	Positions	Voltage	Contact	Model No.	Color
						Red ■	
	90° 2 Positions	LED	Maintained 	12V AC/DC	1NO	45.36.10.02.12	
					1NC	45.36.01.02.12	
					1NO-1NC	45.36.11.02.12	
					2NO	45.36.20.02.12	
					2NC	45.36.02.02.12	
				24V AC/DC	2NO-2NC	45.36.22.02.12	
					1NO	45.36.10.02.24	
					1NC	45.36.01.02.24	
					1NO-1NC	45.36.11.02.24	For more color options, refer to next page 
					2NO	45.36.20.02.24	
				2NC	45.36.02.02.24		
				2NO-2NC	45.36.22.02.24		
				110V AC/DC	1NO	45.36.10.02.11	
				1NC	45.36.01.02.11		
				1NO-1NC	45.36.11.02.11		
				2NO	45.36.20.02.11		
				2NC	45.36.02.02.11		
				2NO-2NC	45.36.22.02.11		
				230/240V AC/DC	1NO	45.36.10.02.23	
					1NC	45.36.01.02.23	
1NO-1NC	45.36.11.02.23						
2NO	45.36.20.02.23						
2NC	45.36.02.02.23						
2NO-2NC	45.36.22.02.23						
	90° 2 Positions	LED	Spring Return from Right 	12V AC/DC	1NO	45.37.10.02.12	
					1NC	45.37.01.02.12	
					1NO-1NC	45.37.11.02.12	
					2NO	45.37.20.02.12	
					2NC	45.37.02.02.12	
				24V AC/DC	2NO-2NC	45.37.22.02.12	
					1NO	45.37.10.02.24	
					1NC	45.37.01.02.24	
					1NO-1NC	45.37.11.02.24	For more color options, refer to next page 
					2NO	45.37.20.02.24	
				2NC	45.37.02.02.24		
				2NO-2NC	45.37.22.02.24		
				110V AC/DC	1NO	45.37.10.02.11	
				1NC	45.37.01.02.11		
				1NO-1NC	45.37.11.02.11		
				2NO	45.37.20.02.11		
				2NC	45.37.02.02.11		
				2NO-2NC	45.37.22.02.11		
				230/240V AC/DC	1NO	45.37.10.02.23	
					1NC	45.37.01.02.23	
1NO-1NC	45.37.11.02.23						
2NO	45.37.20.02.23						
2NC	45.37.02.02.23						
2NO-2NC	45.37.22.02.23						

Illuminated Selector Switch Model Selection

Model No.				
Amber	Yellow	Green	Blue	White
45.36.10.03.12	45.36.10.04.12	45.36.10.05.12	45.36.10.06.12	45.36.10.09.12
45.36.01.03.12	45.36.01.04.12	45.36.01.05.12	45.36.01.06.12	45.36.01.09.12
45.36.11.03.12	45.36.11.04.12	45.36.11.05.12	45.36.11.06.12	45.36.11.09.12
45.36.20.03.12	45.36.20.04.12	45.36.20.05.12	45.36.20.06.12	45.36.20.09.12
45.36.02.03.12	45.36.02.04.12	45.36.02.05.12	45.36.02.06.12	45.36.02.09.12
45.36.22.03.12	45.36.22.04.12	45.36.22.05.12	45.36.22.06.12	45.36.22.09.12
45.36.10.03.24	45.36.10.04.24	45.36.10.05.24	45.36.10.06.24	45.36.10.09.24
45.36.01.03.24	45.36.01.04.24	45.36.01.05.24	45.36.01.06.24	45.36.01.09.24
45.36.11.03.24	45.36.11.04.24	45.36.11.05.24	45.36.11.06.24	45.36.11.09.24
45.36.20.03.24	45.36.20.04.24	45.36.20.05.24	45.36.20.06.24	45.36.20.09.24
45.36.02.03.24	45.36.02.04.24	45.36.02.05.24	45.36.02.06.24	45.36.02.09.24
45.36.22.03.24	45.36.22.04.24	45.36.22.05.24	45.36.22.06.24	45.36.22.09.24
45.36.10.03.11	45.36.10.04.11	45.36.10.05.11	45.36.10.06.11	45.36.10.09.11
45.36.01.03.11	45.36.01.04.11	45.36.01.05.11	45.36.01.06.11	45.36.01.09.11
45.36.11.03.11	45.36.11.04.11	45.36.11.05.11	45.36.11.06.11	45.36.11.09.11
45.36.20.03.11	45.36.20.04.11	45.36.20.05.11	45.36.20.06.11	45.36.20.09.11
45.36.02.03.11	45.36.02.04.11	45.36.02.05.11	45.36.02.06.11	45.36.02.09.11
45.36.22.03.11	45.36.22.04.11	45.36.22.05.11	45.36.22.06.11	45.36.22.09.11
45.36.10.03.23	45.36.10.04.23	45.36.10.05.23	45.36.10.06.23	45.36.10.09.23
45.36.01.03.23	45.36.01.04.23	45.36.01.05.23	45.36.01.06.23	45.36.01.09.23
45.36.11.03.23	45.36.11.04.23	45.36.11.05.23	45.36.11.06.23	45.36.11.09.23
45.36.20.03.23	45.36.20.04.23	45.36.20.05.23	45.36.20.06.23	45.36.20.09.23
45.36.02.03.23	45.36.02.04.23	45.36.02.05.23	45.36.02.06.23	45.36.02.09.23
45.36.22.03.23	45.36.22.04.23	45.36.22.05.23	45.36.22.06.23	45.36.22.09.23
45.37.10.03.12	45.37.10.04.12	45.37.10.05.12	45.37.10.06.12	45.37.10.09.12
45.37.01.03.12	45.37.01.04.12	45.37.01.05.12	45.37.01.06.12	45.37.01.09.12
45.37.11.03.12	45.37.11.04.12	45.37.11.05.12	45.37.11.06.12	45.37.11.09.12
45.37.20.03.12	45.37.20.04.12	45.37.20.05.12	45.37.20.06.12	45.37.20.09.12
45.37.02.03.12	45.37.02.04.12	45.37.02.05.12	45.37.02.06.12	45.37.02.09.12
45.37.22.03.12	45.37.22.04.12	45.37.22.05.12	45.37.22.06.12	45.37.22.09.12
45.37.10.03.24	45.37.10.04.24	45.37.10.05.24	45.37.10.06.24	45.37.10.09.24
45.37.01.03.24	45.37.01.04.24	45.37.01.05.24	45.37.01.06.24	45.37.01.09.24
45.37.11.03.24	45.37.11.04.24	45.37.11.05.24	45.37.11.06.24	45.37.11.09.24
45.37.20.03.24	45.37.20.04.24	45.37.20.05.24	45.37.20.06.24	45.37.20.09.24
45.37.02.03.24	45.37.02.04.24	45.37.02.05.24	45.37.02.06.24	45.37.02.09.24
45.37.22.03.24	45.37.22.04.24	45.37.22.05.24	45.37.22.06.24	45.37.22.09.24
45.37.10.03.11	45.37.10.04.11	45.37.10.05.11	45.37.10.06.11	45.37.10.09.11
45.37.01.03.11	45.37.01.04.11	45.37.01.05.11	45.37.01.06.11	45.37.01.09.11
45.37.11.03.11	45.37.11.04.11	45.37.11.05.11	45.37.11.06.11	45.37.11.09.11
45.37.20.03.11	45.37.20.04.11	45.37.20.05.11	45.37.20.06.11	45.37.20.09.11
45.37.02.03.11	45.37.02.04.11	45.37.02.05.11	45.37.02.06.11	45.37.02.09.11
45.37.22.03.11	45.37.22.04.11	45.37.22.05.11	45.37.22.06.11	45.37.22.09.11
45.37.10.03.23	45.37.10.04.23	45.37.10.05.23	45.37.10.06.23	45.37.10.09.23
45.37.01.03.23	45.37.01.04.23	45.37.01.05.23	45.37.01.06.23	45.37.01.09.23
45.37.11.03.23	45.37.11.04.23	45.37.11.05.23	45.37.11.06.23	45.37.11.09.23
45.37.20.03.23	45.37.20.04.23	45.37.20.05.23	45.37.20.06.23	45.37.20.09.23
45.37.02.03.23	45.37.02.04.23	45.37.02.05.23	45.37.02.06.23	45.37.02.09.23
45.37.22.03.23	45.37.22.04.23	45.37.22.05.23	45.37.22.06.23	45.37.22.09.23

Illuminated Selector Switch Model Selection

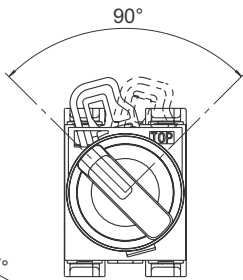
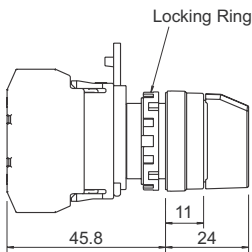
Appearance	Type	Lamp	Positions	Voltage	Contact	Model No.	Color
						Red	
	45° 3 Positions	LED	Maintained 	12V AC/DC	1NO	45.38.10.02.12	
					1NC	45.38.01.02.12	
					1NO-1NC	45.38.11.02.12	
					2NO	45.38.20.02.12	
					2NC	45.38.02.02.12	
				24V AC/DC	2NO-2NC	45.38.22.02.12	
					1NO	45.38.10.02.24	
					1NC	45.38.01.02.24	
					1NO-1NC	45.38.11.02.24	For more color options, refer to next page 
					2NO	45.38.20.02.24	
				2NC	45.38.02.02.24		
				2NO-2NC	45.38.22.02.24		
				110V AC/DC	1NO	45.38.10.02.11	
				1NC	45.38.01.02.11		
				1NO-1NC	45.38.11.02.11		
				2NO	45.38.20.02.11		
				2NC	45.38.02.02.11		
				2NO-2NC	45.38.22.02.11		
				230/240V AC/DC	1NO	45.38.10.02.23	
					1NC	45.38.01.02.23	
1NO-1NC	45.38.11.02.23						
2NO	45.38.20.02.23						
2NC	45.38.02.02.23						
2NO-2NC	45.38.22.02.23						
	45° 3 Positions	LED	Spring Return from Right 	12V AC/DC	1NO	45.39.10.02.12	
					1NC	45.39.01.02.12	
					1NO-1NC	45.39.11.02.12	
					2NO	45.39.20.02.12	
					2NC	45.39.02.02.12	
				24V AC/DC	2NO-2NC	45.39.22.02.12	
					1NO	45.39.10.02.24	
					1NC	45.39.01.02.24	
					1NO-1NC	45.39.11.02.24	For more color options, refer to next page 
					2NO	45.39.20.02.24	
				2NC	45.39.02.02.24		
				2NO-2NC	45.39.22.02.24		
				110V AC/DC	1NO	45.39.10.02.11	
				1NC	45.39.01.02.11		
				1NO-1NC	45.39.11.02.11		
				2NO	45.39.20.02.11		
				2NC	45.39.02.02.11		
				2NO-2NC	45.39.22.02.11		
				230/240V AC/DC	1NO	45.39.10.02.23	
					1NC	45.39.01.02.23	
1NO-1NC	45.39.11.02.23						
2NO	45.39.20.02.23						
2NC	45.39.02.02.23						
2NO-2NC	45.39.22.02.23						

Illuminated Selector Switch Model Selection

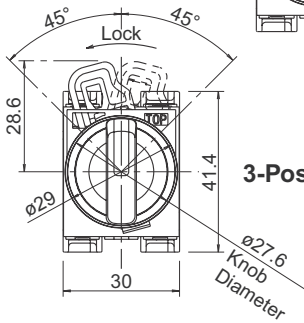
Model No.				
Amber	Yellow	Green	Blue	White
45.38.10.03.12	45.38.10.04.12	45.38.10.05.12	45.38.10.06.12	45.38.10.09.12
45.38.01.03.12	45.38.01.04.12	45.38.01.05.12	45.38.01.06.12	45.38.01.09.12
45.38.11.03.12	45.38.11.04.12	45.38.11.05.12	45.38.11.06.12	45.38.11.09.12
45.38.20.03.12	45.38.20.04.12	45.38.20.05.12	45.38.20.06.12	45.38.20.09.12
45.38.02.03.12	45.38.02.04.12	45.38.02.05.12	45.38.02.06.12	45.38.02.09.12
45.38.22.03.12	45.38.22.04.12	45.38.22.05.12	45.38.22.06.12	45.38.22.09.12
45.38.10.03.24	45.38.10.04.24	45.38.10.05.24	45.38.10.06.24	45.38.10.09.24
45.38.01.03.24	45.38.01.04.24	45.38.01.05.24	45.38.01.06.24	45.38.01.09.24
45.38.11.03.24	45.38.11.04.24	45.38.11.05.24	45.38.11.06.24	45.38.11.09.24
45.38.20.03.24	45.38.20.04.24	45.38.20.05.24	45.38.20.06.24	45.38.20.09.24
45.38.02.03.24	45.38.02.04.24	45.38.02.05.24	45.38.02.06.24	45.38.02.09.24
45.38.22.03.24	45.38.22.04.24	45.38.22.05.24	45.38.22.06.24	45.38.22.09.24
45.38.10.03.11	45.38.10.04.11	45.38.10.05.11	45.38.10.06.11	45.38.10.09.11
45.38.01.03.11	45.38.01.04.11	45.38.01.05.11	45.38.01.06.11	45.38.01.09.11
45.38.11.03.11	45.38.11.04.11	45.38.11.05.11	45.38.11.06.11	45.38.11.09.11
45.38.20.03.11	45.38.20.04.11	45.38.20.05.11	45.38.20.06.11	45.38.20.09.11
45.38.02.03.11	45.38.02.04.11	45.38.02.05.11	45.38.02.06.11	45.38.02.09.11
45.38.22.03.11	45.38.22.04.11	45.38.22.05.11	45.38.22.06.11	45.38.22.09.11
45.38.10.03.23	45.38.10.04.23	45.38.10.05.23	45.38.10.06.23	45.38.10.09.23
45.38.01.03.23	45.38.01.04.23	45.38.01.05.23	45.38.01.06.23	45.38.01.09.23
45.38.11.03.23	45.38.11.04.23	45.38.11.05.23	45.38.11.06.23	45.38.11.09.23
45.38.20.03.23	45.38.20.04.23	45.38.20.05.23	45.38.20.06.23	45.38.20.09.23
45.38.02.03.23	45.38.02.04.23	45.38.02.05.23	45.38.02.06.23	45.38.02.09.23
45.38.22.03.23	45.38.22.04.23	45.38.22.05.23	45.38.22.06.23	45.38.22.09.23
45.39.10.03.12	45.39.10.04.12	45.39.10.05.12	45.39.10.06.12	45.39.10.09.12
45.39.01.03.12	45.39.01.04.12	45.39.01.05.12	45.39.01.06.12	45.39.01.09.12
45.39.11.03.12	45.39.11.04.12	45.39.11.05.12	45.39.11.06.12	45.39.11.09.12
45.39.20.03.12	45.39.20.04.12	45.39.20.05.12	45.39.20.06.12	45.39.20.09.12
45.39.02.03.12	45.39.02.04.12	45.39.02.05.12	45.39.02.06.12	45.39.02.09.12
45.39.22.03.12	45.39.22.04.12	45.39.22.05.12	45.39.22.06.12	45.39.22.09.12
45.39.10.03.24	45.39.10.04.24	45.39.10.05.24	45.39.10.06.24	45.39.10.09.24
45.39.01.03.24	45.39.01.04.24	45.39.01.05.24	45.39.01.06.24	45.39.01.09.24
45.39.11.03.24	45.39.11.04.24	45.39.11.05.24	45.39.11.06.24	45.39.11.09.24
45.39.20.03.24	45.39.20.04.24	45.39.20.05.24	45.39.20.06.24	45.39.20.09.24
45.39.02.03.24	45.39.02.04.24	45.39.02.05.24	45.39.02.06.24	45.39.02.09.24
45.39.22.03.24	45.39.22.04.24	45.39.22.05.24	45.39.22.06.24	45.39.22.09.24
45.39.10.03.11	45.39.10.04.11	45.39.10.05.11	45.39.10.06.11	45.39.10.09.11
45.39.01.03.11	45.39.01.04.11	45.39.01.05.11	45.39.01.06.11	45.39.01.09.11
45.39.11.03.11	45.39.11.04.11	45.39.11.05.11	45.39.11.06.11	45.39.11.09.11
45.39.20.03.11	45.39.20.04.11	45.39.20.05.11	45.39.20.06.11	45.39.20.09.11
45.39.02.03.11	45.39.02.04.11	45.39.02.05.11	45.39.02.06.11	45.39.02.09.11
45.39.22.03.11	45.39.22.04.11	45.39.22.05.11	45.39.22.06.11	45.39.22.09.11
45.39.10.03.23	45.39.10.04.23	45.39.10.05.23	45.39.10.06.23	45.39.10.09.23
45.39.01.03.23	45.39.01.04.23	45.39.01.05.23	45.39.01.06.23	45.39.01.09.23
45.39.11.03.23	45.39.11.04.23	45.39.11.05.23	45.39.11.06.23	45.39.11.09.23
45.39.20.03.23	45.39.20.04.23	45.39.20.05.23	45.39.20.06.23	45.39.20.09.23
45.39.02.03.23	45.39.02.04.23	45.39.02.05.23	45.39.02.06.23	45.39.02.09.23
45.39.22.03.23	45.39.22.04.23	45.39.22.05.23	45.39.22.06.23	45.39.22.09.23

Dimensions - Selector Switch

• Non-Illuminated Selector Switch

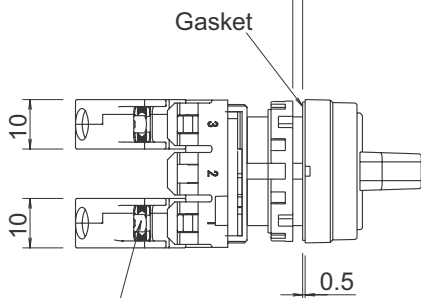


2-Position



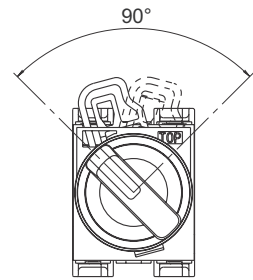
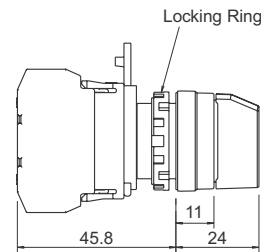
3-Position

Panel Thickness: 0.8 to 6

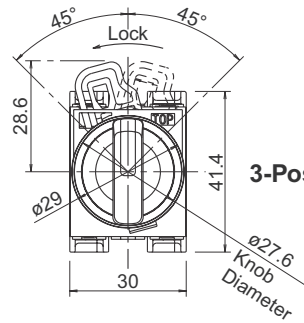


M3.5 Terminal Screw
Contact Block

• Illuminated Selector Switch

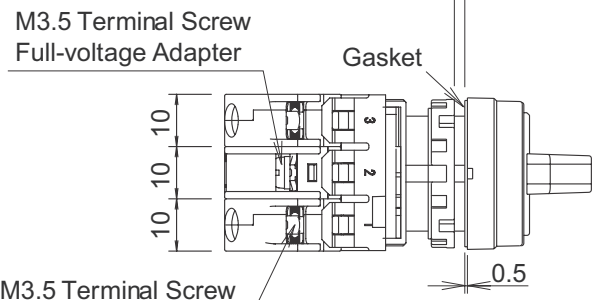


2-Position



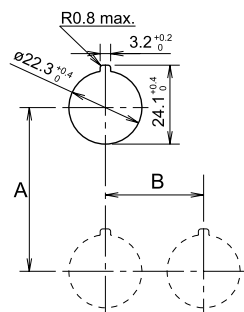
3-Position

Panel Thickness: 0.8 to 6



M3.5 Terminal Screw
Full-voltage Adapter
Contact Block

Mounting Hole



A (mm) X B (mm)
50 min. X 30 min.

All dimensions in mm.

Key Selector Switch Model Selection

Appearance	Pushbutton Type	Position	Operation	Color	Retained at	Contact	Model No.
	Key Selector Switch	90° 2 Positions	Maintained	Black		2NO	45.42.20.00
						2NC	45.42.02.00
						2NO-2NC	45.42.22.00
						2NO	45.43.20.00
						2NC	45.43.02.00
						2NO-2NC	45.43.22.00
				2NO	45.45.20.00		
				2NC	45.45.02.00		
				2NO-2NC	45.45.22.00		
Spring Return from Right to Left	Black		2NO	45.45.20.00			
			2NC	45.45.02.00			
			2NO-2NC	45.45.22.00			
	Key Selector Switch	45° 3 Positions	Maintained	Black		2NO	45.46.20.00
						2NC	45.46.02.00
						2NO-2NC	45.46.22.00
						2NO	45.47.20.00
						2NC	45.47.02.00
						2NO-2NC	45.47.22.00
						2NO	45.48.20.00
						2NC	45.48.02.00
						2NO-2NC	45.48.22.00
						2NO	45.49.20.00
						2NC	45.49.02.00
						2NO-2NC	45.49.22.00
						2NO	45.50.20.00
						2NC	45.50.02.00
						2NO-2NC	45.50.22.00
						2NO	45.51.20.00
						2NC	45.51.02.00
						2NO-2NC	45.51.22.00
				2NO	45.52.20.00		
				2NC	45.52.02.00		
				2NO-2NC	45.52.22.00		
			Spring Return from Right to Center	Black		2NO	45.53.20.00
						2NC	45.53.02.00
						2NO-2NC	45.53.22.00
						2NO	45.54.20.00
						2NC	45.54.02.00
						2NO-2NC	45.54.22.00
						2NO	45.55.20.00
						2NC	45.55.02.00
						2NO-2NC	45.55.22.00
			Spring Return from Left to Center	Black		2NO	45.56.20.00
						2NC	45.56.02.00
						2NO-2NC	45.56.22.00
						2NO	45.57.20.00
						2NC	45.57.02.00
						2NO-2NC	45.57.22.00
	2NO	45.58.20.00					
	2NC	45.58.02.00					
	2NO-2NC	45.58.22.00					
Spring Return from two ways	Black		2NO	45.59.20.00			
			2NC	45.59.02.00			
			2NO-2NC	45.59.22.00			

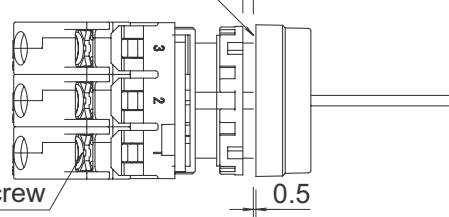
Each 45 Series Key Selector Switch is supplied with a spare key. Key is retained at ● positions and removable at ○ position. Please contact your WERNER representative for more contact arrangement.

Dimensions - Key Selector Switch

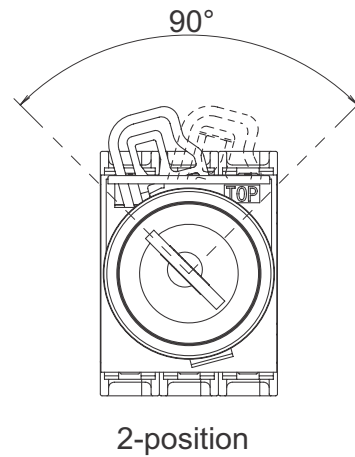
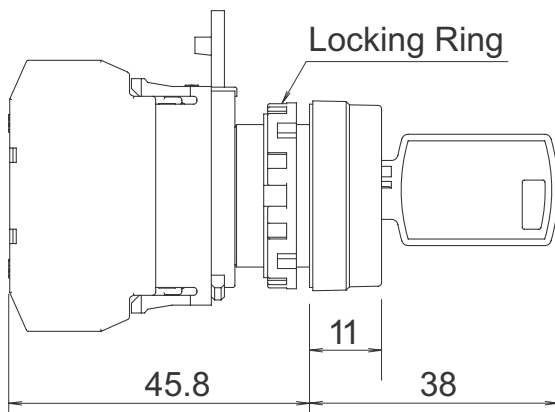


Panel Thickness 0.8 to 6

Gasket

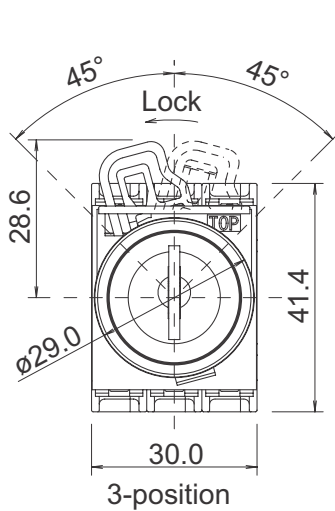


M3.5 Terminal Screw
Contact Block

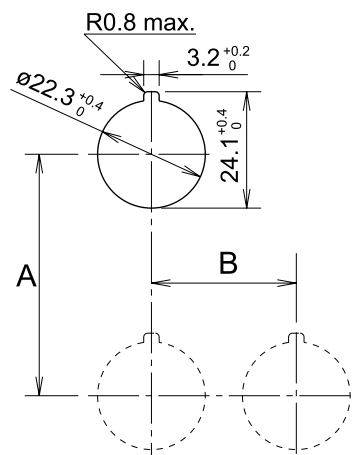


2-position

Mounting Hole



3-position



A (mm) X B (mm)

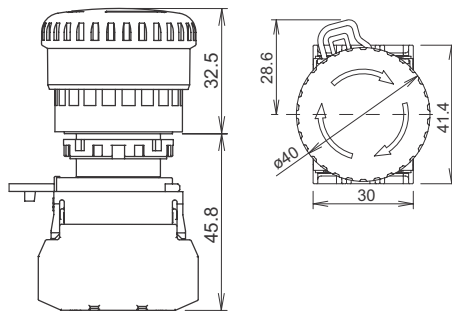
50 min. X 30 min.

All dimensions in mm.

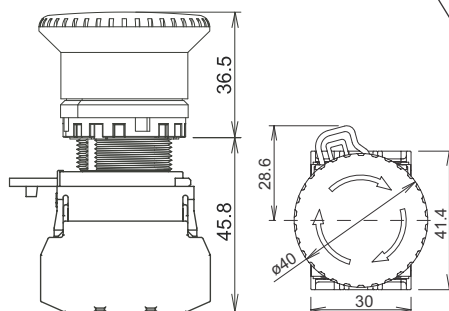
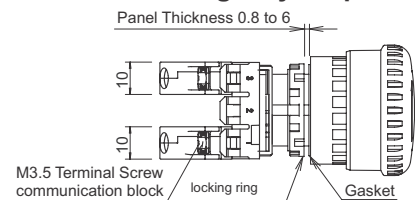
Emergency Stop Switches

Physical appearance	Button Type	Operation	Colour	To contact	Model number.
	ø40 mm Mushroom	push lock Reset + Push Pull	Red Only	1NO	45.87.10.02
				1NC	45.87.01.02
				1NO-1NC	45.87.11.02
				2NO	45.87.20.02
				2NC	45.87.02.02
	ø40 mm Mushroom	push lock Reset + Push Pull	Illuminated Red	1NO	45.86.10.02.24
				1NC	45.86.01.02.24
				1NO-1NC	45.86.11.02.24
				2NO	45.86.20.02.24
				2NC	45.86.02.02.24
	Non-Illuminated ø40 mm Pushlock Turn Rest	Pushlock Turn Rest	Red Only	1NO	45.88.10.02
				1NC	45.88.01.02
				1NO-1NC	45.88.11.02
				2NO	45.88.20.02
				2NC	45.88.02.02
	Non-Illuminated ø40 mm Pushlock Printed Turn Rest	Pushlock Turn Rest	Red Only	1NO	45.89.10.02
				1NC	45.89.01.02
				1NO-1NC	45.89.11.02
				2NO	45.89.20.02
				2NC	45.89.02.02
				2NO-2NC	45.89.22.02

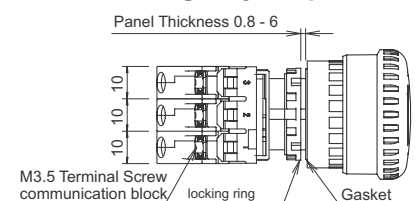
Dimensions - Emergency Stop Switches



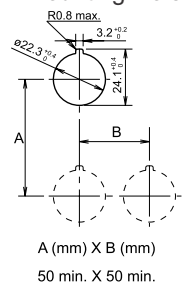
• Unilluminated Emergency Stop Switch



• Illuminated Emergency Stop Switch


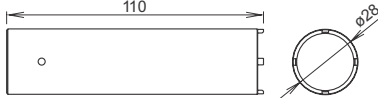

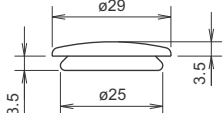

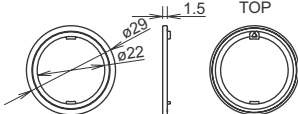

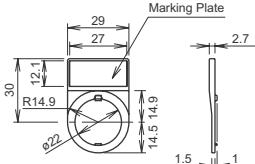

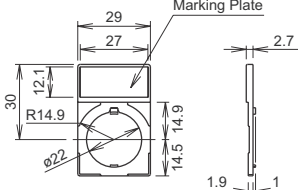

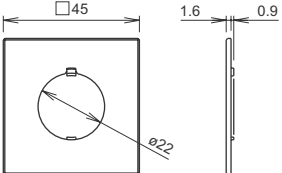

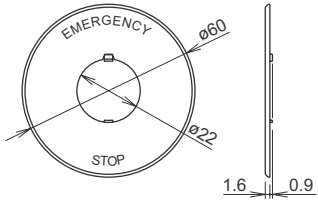

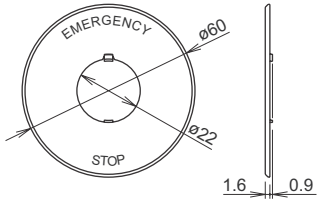


Mounting Hole

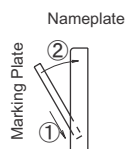


All dimensions are in mm.

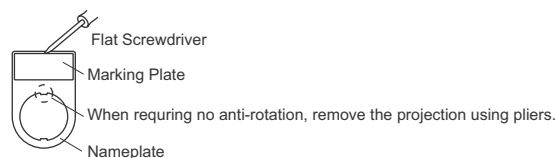
Accessories

Appearance	Part No.	Description & Dimensions (mm)
	45.02.01	Metallic tool used to tighten the plastic locking ring when installing the 45 series control unit in a panel. 
	45.02.06	Used for plugging unused mounting holes in the panel. Color: Black 
	45.01.53	Prevents rotation of switches in panel. Mainly used with selector switches when no nameplate is used. With waterproof gasket (IP65). Made of plastic (black). 
	45.01.60	Round bottom, Plastic (black) 1.5 mm thick 
	45.01.61	Square bottom, Plastic (black) 1.5 mm thick 
	45.01.62	Square, Plastic (black) 1.5 mm thick 
	45.01.63	Round, Yellow Color Blank 
	45.01.64	Round, Yellow Color, With "EMERGENCY STOP" text. 

● Installing the marking plate on a nameplate


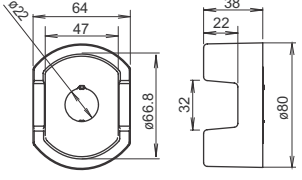

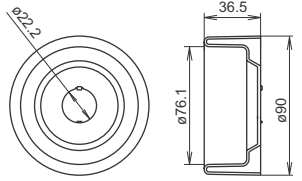


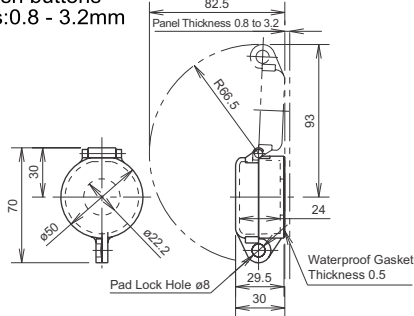

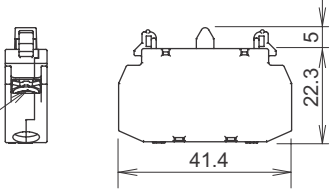


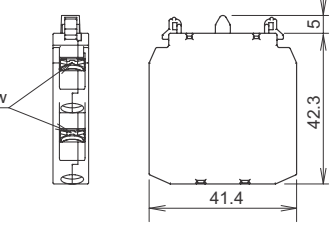


● To remove the marking plate, insert the flat screwdriver between the marking plate and nameplate.



Note: When using an nameplate, the mounting panel thickness is decreased by 1.5 mm.

Accessories

Appearance	Part No.	Description & Dimensions (mm)
	45.02.07	Ellipse shape yellow color ø22mm 
	45.02.08	Round shape yellow color ø22mm 
	45.01.52	
	45.03.50	Illuminated plastic cover used to protect push buttons or selector switches(IP65), Panel thickness:0.8 - 3.2mm 
	45.05.10	
	45.05.01	
	NO - NC 45.05.11	
	2NO 45.05.20	
	2NC 45.05.02	
		Note: Double contact blocks cannot be used on emergency stop switches.

Accessories

Appearance	Voltage	Coil Type	Color	Model No.
	12 V	AC/DC	Red	45.06.02.12
			Amber	45.06.03.12
			Yellow	45.06.04.12
			Green	45.06.05.12
			Blue	45.06.06.12
			White	45.06.09.12
	24 V	AC/DC	Red	45.06.02.24
			Amber	45.06.03.24
			Yellow	45.06.04.24
			Green	45.06.05.24
			Blue	45.06.06.24
			White	45.06.09.24
	110 V	AC/DC	Red	45.06.02.11
			Amber	45.06.03.11
			Yellow	45.06.04.11
			Green	45.06.05.11
			Blue	45.06.06.11
			White	45.06.09.11
	230/240 V	AC/DC	Red	45.06.02.23
			Amber	45.06.03.23
			Yellow	45.06.04.23
			Green	45.06.05.23
			Blue	45.06.06.23
			White	45.06.09.23
	All Voltages	AC/DC	All Colors	45.06.00

Safety Precaution

General

- Failure to turn the power off may cause electrical shocks or fire hazard. Please turn off the power to the 45 series switches before starting installation, removal, wiring, maintenance, and inspection of the products
- Use the lamp holder tool when replacing lamps to avoid burning your hand.
- Failure to tighten the terminal screws may cause overheating or fire. In case of wiring, tighten the M3.5 terminal screws to a tightening torque of 1.0 to 1.3 N.m.

Panel Mounting

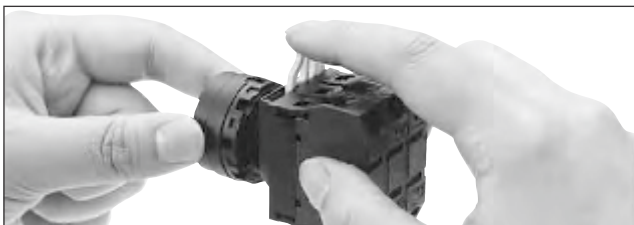
- Remove the contact block from the operator (for pilot light, remove the transformer or full voltage unit from the pilot light). Remove the locking ring from the operator into the panel cut-out from the front, tighten the locking ring from the back, then install the contact block to the operator.

Removing and Installing the Contact Block

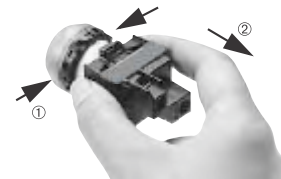


- ① Pull up the locking lever.
- ② Turn the lever to the left.
- ③ Pull out the contact block

1. To remove the operator from the contact block, pull up the locking lever and turn it to the left. Then the operator can be pulled out.
2. To reinstall, place the TOP marking on the operator and the werner marking on the contact block mounting adapter in the same direction, and insert the operator into the contact block mounting adapter. Then turn the locking lever to the right.



Removing the Full Voltage Unit



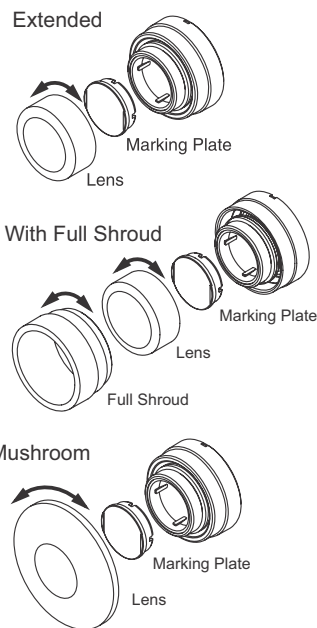
1. To remove the full voltage unit, squeeze the full voltage unit from both sides to disengage the latch as shown, and pull it out. Like the transformer unit, the full voltage unit can also be pulled out by inserting a flat screwdriver into the latch hole as shown.
2. To reinstall, place the TOP markings on the operator and the latch on the full voltage unit in the same direction, and insert the operator into the full voltage unit.

Notes for Panel Mounting

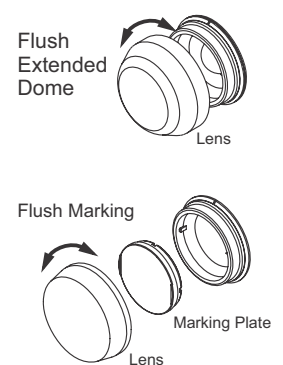
1. Use the optional locking ring wrench to mount the operator onto a panel. Tightening torque must not exceed 2.0 N·m. Do not use pliers. Excessive tightening will damage the locking ring.
2. For contact blocks and transformers housing LED and incandescent lamps, make sure not to press the lamps too hard, otherwise the lamp socket may be damaged.

Insertion Order of Lens and Marking Plate

Illuminated Pushbutton



Pilot Light



Removing and Installing the Transformer Unit

1. Insert a flat screwdriver (5 mm wide at maximum) into the latch hole on the transformer unit as shown in the photo below, and disengage the latch. Then pull out the operator.
2. To reinstall, place the TOP marking on the operator and the latch in the same direction, and push the operator into the transformer unit.



Safety Precaution

Replacement (LED and incandescent lamps)

Lamps can be replaced using the lamp holder tool from the front of the panel, or by removing the contact block from the operator unit.

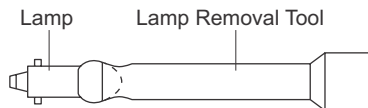
Removing the Lamp from the Front of the Panel



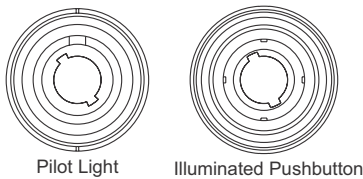
To remove, gently insert the lamp holder tool onto the lamp head. Then push slightly, and turn the lamp holder tool to the left.

Installing the Lamp from the Front of the Panel

1. To install, insert the lamp head into the lamp holder tool, and hold the lamp as shown in the figure below.



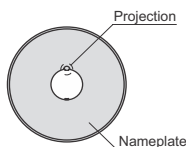
2. Place the pins on the lamp base to the grooves in the lamp socket. Insert the lamp and turn it to the right.



Note: LED lamps in unibody pilot lights cannot be replaced.

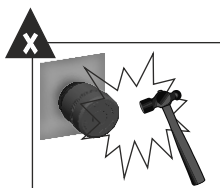
Nameplate

When anti-rotation is not required, remove the projection from the nameplate using pliers.



Handling

Do not expose the switch to excessive shock and vibration, otherwise the switch may be deformed or damaged, causing malfunction or operation failure.

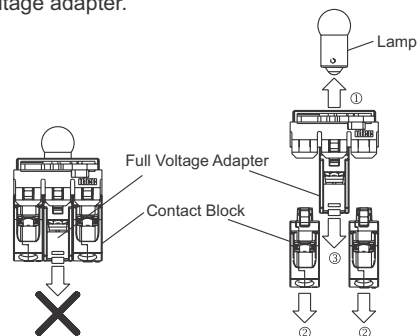


Removing Contact Blocks and Full Voltage Adapters

Insert a flat screwdriver between the latch and contact block mounting adapter, and disengage the latch.



Make sure to remove the lamp and contact blocks before removing the full voltage adapter.

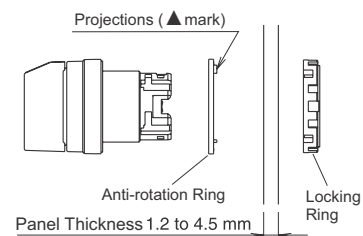


Tightening Torque for Terminal Screws

Tighten terminal screws to a torque of 1.0 N·m.

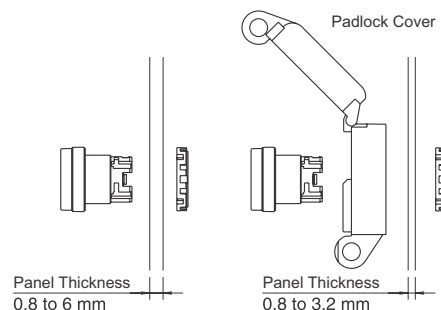
Anti-rotation Ring and Mounting Panel

Turn the TOP marking on the operator and the ▲ mark on the anti-rotation ring to the recess on the mounting panel.



Mounting Panel Thickness

The mounting panel must be 0.8 to 6.0 mm in thickness. When optional accessories are added, the applicable panel thickness changes as shown below.



Contact Bounce

When pressing or turning the operator, the NC and NO contacts will bounce. When designing a control circuit, take the contact bounce time into consideration.

Terms And Conditions

Please read this catalog before purchasing any products. Please consult your *WERNER* representative for any clarifications or comments.

Application Considerations

WERNER shall not be responsible for conformity with any regulations, codes or standards that apply to use of the products. *WERNER* shall provide applicable third party certification documents identifying ratings and limitations of use that apply to the products in case of the customer's request.

Prevent use the products for an application involving risk to life or property. Be sure that the *WERNER*'s products are properly rated and installed for the overall system or equipment.

WERNER shall not be responsible for the user's programming of a programmable products.

Warranty

WERNER's warranty represents that the products are free from defects in materials and workmanship for a period of one year.

WERNER shall not be responsible for any special loss of profit, commercial loss, indirect or consequential damages relevant to products.

WERNER shall not be responsible for repair, warranty or any claims regarding the products unless *WERNER*'s Analysis confirm that the products were properly stored, installed, handled, maintained and not a result of accident, insufficient, abuse, misuse, natural disaster, improper installation excessive electrical supply, environmental conditions or abnormal mechanical.

Disclaimers

WERNER shall practice to change type/model numbers when published ratings or features are changed, however some specifications of the products may be changed without any notice.

When in doubt, please consult with your *WERNER* representative to confirm actual specifications of products.

WERNER shall change product specifications and accessories at any time based on improvements and other reasons.

The information in this catalog has been carefully checked. However, *WERNER* take no responsibilities for clerical, typographical or proofreading errors.



WERNER

Inventing Innovation...

H.Q.

Werner Electric Private Limited

#278/C, KIADB, Hebbal Industrial Area, Mysore-570018, India
Tel: +91 73539 47299, E-mail: info@wernerelektrik.com

Werner Malaysia Sdn Bhd,

45-2, Jalan Tiara 2B, Bandar Baru Klang,
41150, Klang, Selangor, Malaysia.

Tel: +60 13 533 3348, E-mail: info@wernerelektrik.com

Werner Elektrik Türkiye

Ayazağa Mah. Mimar Sinan Sok. Seba Office Boulevard.
D Blok. No.: 21D/45 Sarıyer / İstanbul, Türkiye.

Tekefon: +90 539 829 25 07 , E-posta: info@wernerelektrik.com

www.wernerelektrik.com