

PRODUCT SPECIFICATION

66 & 67 Series Remote Controls Single and Double Speed



single speed



Double Speed

67 Series Single Speed Wireless Controller	2
Specifications - Transmitter	2
Specifications - Receiver	2
66 Series Dual Speed Wireless Controller	3
Specifications - Transmitter	3
Specifications - Receiver	3
Model Number Structure - Single & Dual Speed Wireless Controller	4
Model Number Selection - Single Speed Wireless Controller.....	5
Model Number Selection - Dual Speed Wireless Controller.....	6
Dimensions.....	7 - 8

Remote Controllers



WERNER's 66 & 67 series wireless crane controllers provide the highest quality combined with ruggedness, usability and flexibility in the industry. The rugged remote controllers have been a great choice to crane manufacturers due to its light weight (10 ounces or less) & 100% error-free encoding.

Features Overview

- Available from 24V to 230V AC
- Single speed and Dual Speed variants available
- Simultaneous operation of up to 50 Devices without interference.
- Easy plug-in interface provides quick and easy installation on existing cranes
- Rugged industry design to provide precise operation, degree of Protection IP65
- Remotes available in 8 and 12 buttons variant with Key-lock and Emergency Push button

Highlights

- Operating temperature - -25°C ~ +70°C
- Impact and temperature resistant housing
- Lockable switch to prevent un-Authorized use
- Improved safety due to extended range, typically 150M
- Hassle free operation, Resistant to Dust, water, oil, acids, alkaline, heat and sunlight
- Less power consumption, 150 hours of continuous operation with just two "AA" Alkaline Cells

Werner Crane controllers are offered in Single and dual speed configurations with multiple options to choose from, to suit wide range requirements. Werner Wireless controllers are offered in 8, 12 button options with further options like Push to Lock – Turn to release and Key-Lock safety features. Werner Electric offers extremely wide range of wireless controllers that offers un-paralleled flexibility and advantages over other designs.



Easy operation with hand gloves



More than 150 hours of continuous operation with just two off-the-shelf "AA" alkaline batteries.



Impervious to dust, water, oil, acids, alkaline, heat and sunlight

**Wireless crane controller
hassel free....wire free!**

67 Series Single Speed Wireless Controller

Features:

- Accurate in transmitting, receiving, decoding and controlling of all output relays.
- More than 150 hours of continuous operation with just two off-the-shelf "AA" alkaline batteries.
- Can cover up to 150 Meters distance between transmitter & receiver
- Upto 50 wireless controllers can be installed in a single location
- Light weight

Overvoltage category

III, as per EN IEC 60947-5-1

Approvals

Approbations and Declaration of conformity

CE CE



Specifications - Transmitter

Frequency Range	422 to 438 MHZ
Channel Spacing	25KHz
Transmitting Range	150 - Meters
Hamming Distance	6
Frequency Control	Quartz Crystal
Transmitting Power	0.3mW
Operating Temperature	- 25°C ~ +70°C
Source Voltage	3.0V ("AA" x 2)
Current Drain	10~18mA
Weight (approx.)	220g.
Degree of Protection	IP 65

Specifications - Receiver

Modulation	Narrow Band FM
Decoding Reference	Quartz Crystal
Frequency Control	Synthesizer (PLL)
Sensitivity	-120dBm
Responding Time	40mS
Output Contact	250V @ 10A
Operating Temperature	- 25°C ~ +70°C
Source Voltage	AC 24V ~ 230V available
Power Consumption	7.7 Watts
Weight (approx.)	835g.
Degree of Protection	IP 65

66 Series Dual Speed Wireless Controller

Features:

- Accurate in transmitting, receiving, decoding and controlling of all output relays.
- More than 150 hours of continuous operation with just two off-the-shelf "AA" alkaline batteries.
- Can cover up to 150 Meters distance between transmitter & receiver
- Upto 50 wireless controllers can be installed in a single location
- Light weight

Overvoltage category

III, as per EN IEC 60947-5-1

Approvals

Approbations and Declaration of conformity

CE CE



Specifications - Transmitter

Frequency Range	422 & 438 MHZ
Channel Spacing	25KHz
Transmitting Range	150 Meters
Hamming Distance	6
Frequency Control	Quartz Crystal
Transmitting Power	0.3mW
Operating Temperature	- 25°C ~ + 70°C
Source Voltage	3.0V ("AA" x 2)
Current Drain	10~18mA
Weight (approx.)	300~320g.
Degree of Protection	IP 65

Specifications - Receiver

Modulation	Narrow Band FM
Decoding Reference	Quartz Crystal
Frequency Control	Synthesizer (PLL)
Sensitivity	-120dBm
Responding Time	40mS
Output Contact	250V @ 10A
Operating Temperature	- 25°C ~ +70°C
Source Voltage	AC 24V ~ 230V available
Power Consumption	7.7 Watts
Weight (approx.)	835g.
Degree of Protection	IP 65

Model Number Structure - Single & Dual Speed Remote Controller



66.67.12.01.24

Series	
67	67 Series Single Speed Wireless Controller
66	66 Series Dual Speed Wireless Controller

No. of Keys	
08	8 Keys
12	12 Keys

Operating Voltage	
24	24V DC Only
36	36V DC Only
48	48V DC Only
110	110V DC Only
120	120V AC Only
230	230V AC Only

Remote Type	
01	Pushlock Turn Reset
02	Keylock Switch

66 & 67 Series Remote Controllers

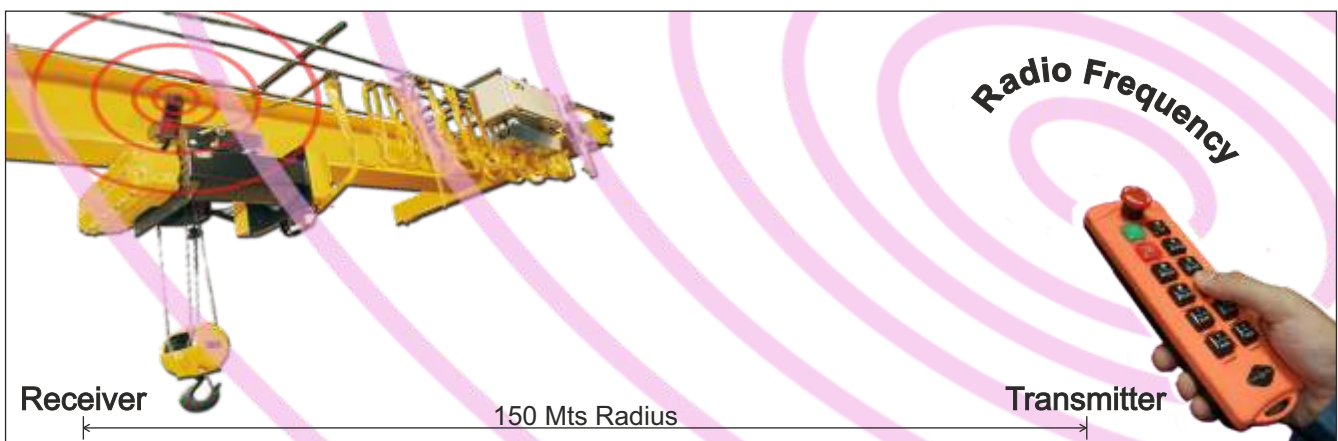
Model Number Selection - Single Speed Wireless Controller

Style	Emergency Type	Protection	No. of Keys	Voltage	Model No.	
	Pushlock Turn Reset (E-Stop Switch)	IP 65	8 Keys	24V DC	67.08.01.24	
				36V DC	67.08.01.36	
				48V DC	67.08.01.48	
				110V DC	67.08.01.110	
				120V AC	67.08.01.120	
				230V AC	67.08.01.230	
			12 Keys	24V DC	67.12.01.24	
				36V DC	67.12.01.36	
				48V DC	67.12.01.48	
				110V DC	67.12.01.110	
				120V AC	67.12.01.120	
				230V AC	67.12.01.230	
	Keylock Switch	IP 65	8 Keys	24V DC	67.08.02.24	
				36V DC	67.08.02.36	
				48V DC	67.08.02.48	
				110V DC	67.08.02.110	
				120V AC	67.08.02.120	
				230V AC	67.08.02.230	
				12 Keys	24V DC	67.12.02.24
					36V DC	67.12.02.36
					48V DC	67.12.02.48
					110V DC	67.12.02.110
					120V AC	67.12.02.120
					230V AC	67.12.02.230

66 & 67 Series Remote Controllers

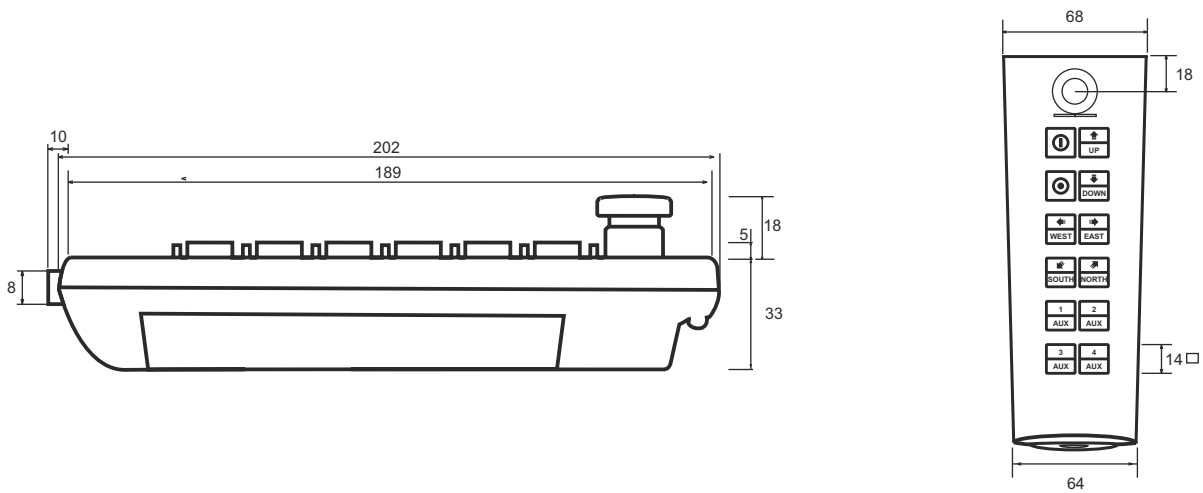
Model Number Selection - Dual Speed Wireless Controller

Style	Emergency Type	Protection	No. of Keys	Voltage	Model No.
	Pushlock Turn Reset (E-Stop Switch)	IP 65	8 Keys	24V DC	66.08.01.24
				36V DC	66.08.01.36
				48V DC	66.08.01.48
				110V DC	66.08.01.110
				120V AC	66.08.01.120
				230V AC	66.08.01.230
	Pushlock Turn Reset (E-Stop Switch)	IP 65	12 Keys	24V DC	66.12.01.24
				36V DC	66.12.01.36
				48V DC	66.12.01.48
				110V DC	66.12.01.110
				120V AC	66.12.01.120
				230V AC	66.12.01.230
	Keylock Switch	IP 65	8 Keys	24V DC	66.08.02.24
				36V DC	66.08.02.36
				48V DC	66.08.02.48
				110V DC	66.08.02.110
				120V AC	66.08.02.120
				230V AC	66.08.02.230
	Keylock Switch	IP 65	12 Keys	24V DC	66.12.02.24
				36V DC	66.12.02.36
				48V DC	66.12.02.48
				110V DC	66.12.02.110
				120V AC	66.12.02.120
				230V AC	66.12.02.230

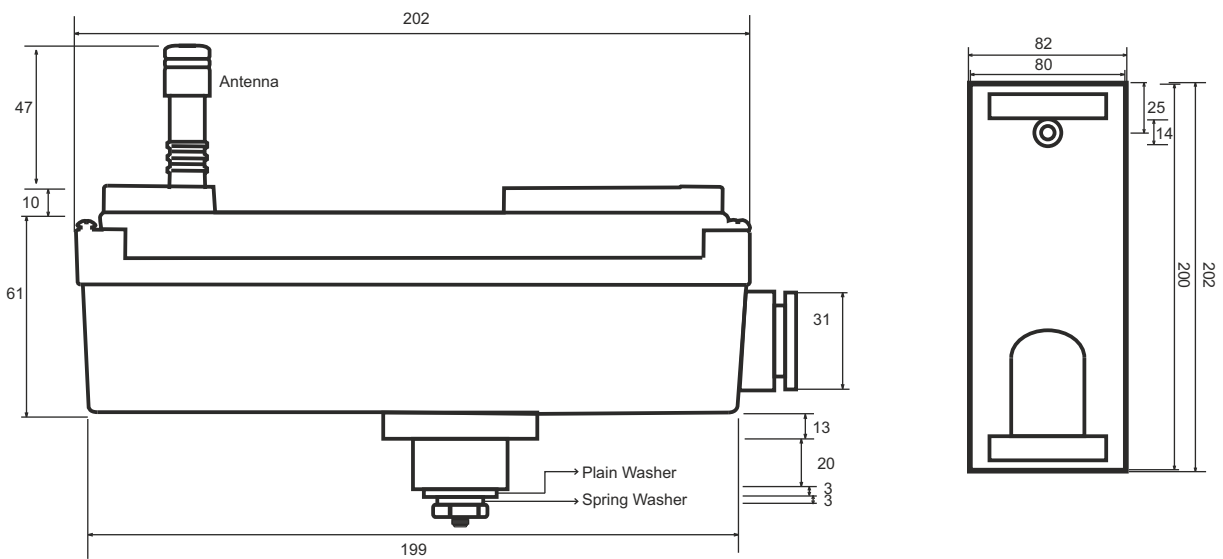


Dimensions

Transmitter Single Speed



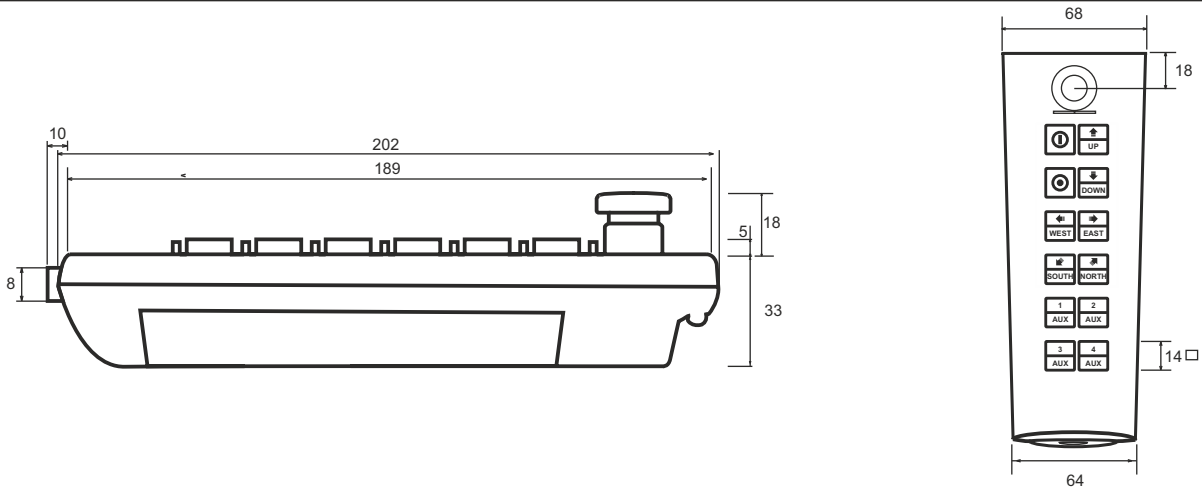
Receiver Single Speed



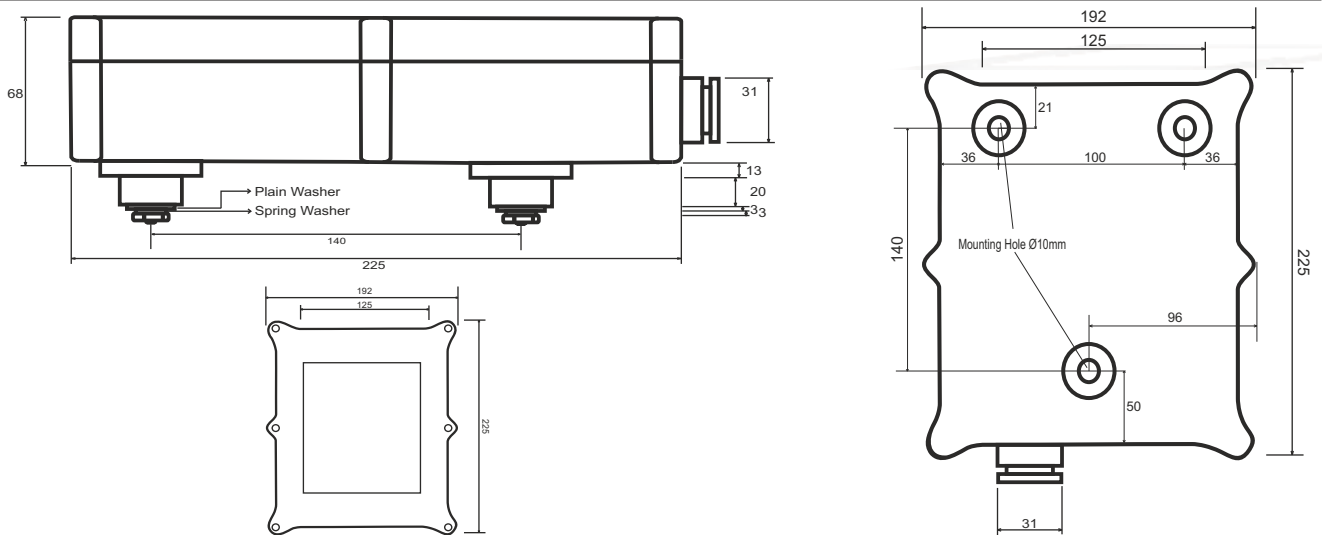
Wiring for Single Speed



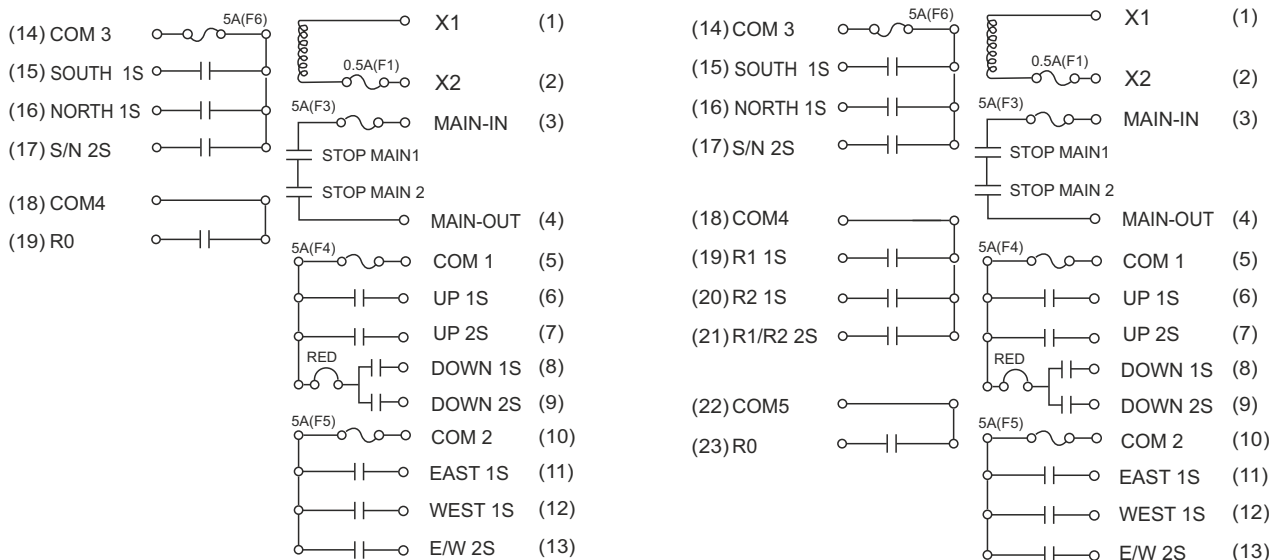
Transmitter Dual Speed



Receiver Single Speed



Wiring Dual Speed



Terms And Conditions

Please read this catalog before purchasing any products. Please consult your *WERNER* representative for any clarifications or comments.

Application Considerations

WERNER shall not be responsible for conformity with any regulations, codes or standards that apply to use of the products. *WERNER* shall provide applicable third party certification documents identifying ratings and limitations of use that apply to the products in case of the customer's request.

Prevent use the products for an application involving risk to life or property. Be sure that the *WERNER*'s products are properly rated and installed for the overall system or equipment.

WERNER shall not be responsible for the user's programming of a programmable products.

Warranty

WERNER's warranty represents that the products are free from defects in materials and workmanship for a period of one year.

WERNER shall not be responsible for any special loss of profit, commercial loss, indirect or consequential damages relevant to products.

WERNER shall not be responsible for repair, warranty or any claims regarding the products unless *WERNER*'s Analysis confirm that the products were properly stored, installed, handled, maintained and not a result of accident, insufficient, abuse, misuse, natural disaster, improper installation excessive electrical supply, environmental conditions or abnormal mechanical.

Disclaimers

WERNER shall practice to change type/model numbers when published ratings or features are changed, however some specifications of the products may be changed without any notice.

When in doubt, please consult with your *WERNER* representative to confirm actual specifications of products.

WERNER shall change product specifications and accessories at any time based on improvements and other reasons.

The information in this catalog has been carefully checked. However, *WERNER* take no responsibilities for clerical, typographical or proofreading errors.



WERNER

Inventing Innovation...

H.Q.

Werner Electric Private Limited

Plot No.: 166, Hebbal Industrial Area, Mysore - 570016, India.
Tel: +91 73539 47299, E-mail: info@wernerelektrik.com

Werner Malaysia Sdn Bhd,

45-2, Jalan Tiara 2B, Bandar Baru Klang,
41150, Klang, Selangor, Malaysia.

Tel: +60 13 533 3348, E-mail: info@wernerelektrik.com

Werner Elektrik Türkiye

Ayazağa Mah. Mimar Sinan Sok. Seba Office Boulevard.
D Blok. No.: 21D/45 Sariyer / İstanbul, Türkiye.

Tekefon: +90 539 829 25 07 , E-posta: info@wernerelektrik.com

www.wernerelektrik.com