

## PRODUCT SPECIFICATION

# 45 Series Ø22mm Unibody Pilots Lights





## Unibody Pilot Lights

### Higher Brightness

The new unibody pilot light achieves high brightness.

### Short Depth behind the Panel

Unibody type measures only 32mm depth behind the panel.

### Four Lens Shapes

Flush, flush with marking, extended, and dome.

### Panel Mounting

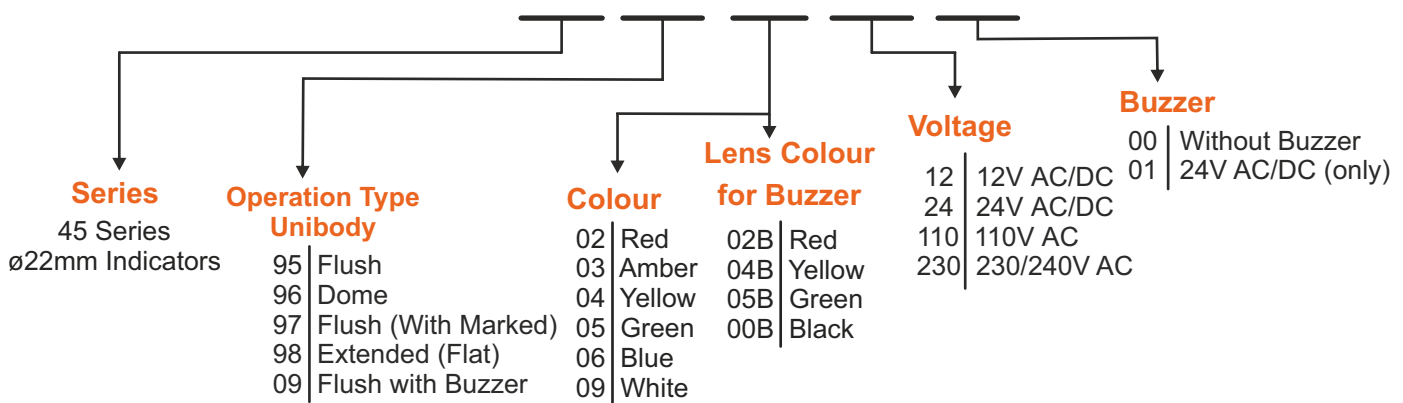
Pilot lights can be mounted on panels simply by tightening the locking ring.

### Low Voltage Glow Protective

Pilot lights are protected from glowing at low or leakage voltages. UPTO 5%.

## ORDERING TABLE

**45.95.02.24.01**



## Types of Lens



Flush



Dome

Flush  
With Marked

Extended

Flush with  
Buzzer

## Indicator Model Selection

Appearance	Indicator Type	Lamp	Operating Voltage	Lens Color	Model No.
	Flush	LED	12V AC/DC	Red	45.95.02.12
				Amber	45.95.03.12
				Yellow	45.95.04.12
				Green	45.95.05.12
				Blue	45.95.06.12
			White	45.95.09.12	
			24V AC/DC	Red	45.95.02.24
				Amber	45.95.03.24
				Yellow	45.95.04.24
				Green	45.95.05.24
				Blue	45.95.06.24
			White	45.95.09.24	
			110V AC/DC	Red	45.95.02.110
				Amber	45.95.03.110
				Yellow	45.95.04.110
				Green	45.95.05.110
				Blue	45.95.06.110
			White	45.95.09.110	
			230-240V AC/DC	Red	45.95.02.230
				Amber	45.95.03.230
Yellow	45.95.04.230				
Green	45.95.05.230				
Blue	45.95.06.230				
White	45.95.09.230				
	Dome	LED	12V AC/DC	Red	45.96.02.12
				Amber	45.96.03.12
				Yellow	45.96.04.12
				Green	45.96.05.12
				Blue	45.96.06.12
			White	45.96.09.12	
			24V AC/DC	Red	45.96.02.24
				Amber	45.96.03.24
				Yellow	45.96.04.24
				Green	45.96.05.24
				Blue	45.96.06.24
			White	45.96.09.24	
			110V AC/DC	Red	45.96.02.110
				Amber	45.96.03.110
				Yellow	45.96.04.110
				Green	45.96.05.110
				Blue	45.96.06.110
			White	45.96.09.110	
			230-240V AC/DC	Red	45.96.02.230
				Amber	45.96.03.230
Yellow	45.96.04.230				
Green	45.96.05.230				
Blue	45.96.06.230				
White	45.96.09.230				








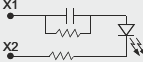

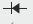

## Indicator Model Selection

Appearance	Indicator Type	Lamp	Operating Voltage	Lens Color	Model No.
	Flush (With Marked)	LED	12V AC/DC	Red	45.97.02.12
				Amber	45.97.03.12
				Yellow	45.97.04.12
				Green	45.97.05.12
				Blue	45.97.06.12
				White	45.97.09.12
			24V AC/DC	Red	45.97.02.24
				Amber	45.97.03.24
				Yellow	45.97.04.24
				Green	45.97.05.24
				Blue	45.97.06.24
				White	45.97.09.24
			110V AC/DC	Red	45.97.02.110
				Amber	45.97.03.110
				Yellow	45.97.04.110
				Green	45.97.05.110
				Blue	45.97.06.110
				White	45.97.09.110
			230-240V AC/DC	Red	45.97.02.230
				Amber	45.97.03.230
Yellow	45.97.04.230				
Green	45.97.05.230				
Blue	45.97.06.230				
White	45.97.09.230				
	Extended (Flat)	LED	12V AC/DC	Red	45.98.02.12
				Amber	45.98.03.12
				Yellow	45.98.04.12
				Green	45.98.05.12
				Blue	45.98.06.12
				White	45.98.09.12
			24V AC/DC	Red	45.98.02.24
				Amber	45.98.03.24
				Yellow	45.98.04.24
				Green	45.98.05.24
				Blue	45.98.06.24
				White	45.98.09.24
			110V AC/DC	Red	45.98.02.110
				Amber	45.98.03.110
				Yellow	45.98.04.110
				Green	45.98.05.110
				Blue	45.98.06.110
				White	45.98.09.110
			230-240V AC/DC	Red	45.98.02.230
				Amber	45.98.03.230
Yellow	45.98.04.230				
Green	45.98.05.230				
Blue	45.98.06.230				
White	45.98.09.230				

## Specifications

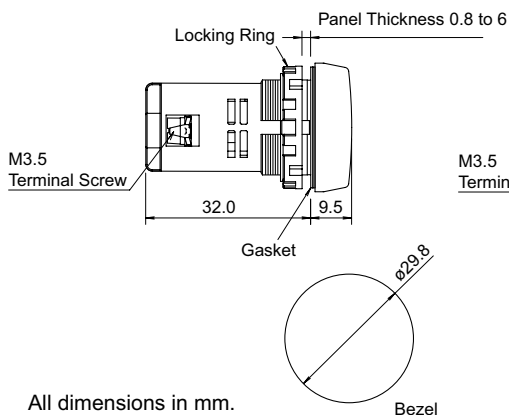
Operating Temperature	-25 to +60°C (No freezing)
Storage Temperature	-40 to +80°C
Operating Humidity	45 to 85% RH (No condensation)
Insulation Resistance	100 MΩ minimum (500V DC megger)
Dielectric Strength	2000VDC For 1 minute
Vibration Resistance	Operating extremes: 5 to 55 Hz, amplitude 1 mm Damage limits: 30 Hz, amplitude 1.5 mm
Shock Resistance	Operating extremes: 100 m/s <sup>2</sup> (15G) Damage limits: 1000 m/s <sup>2</sup> (100G)
Degree of Protection	IP65 Front of Panel IP20 Back of Panel

## LED lamp Ratings

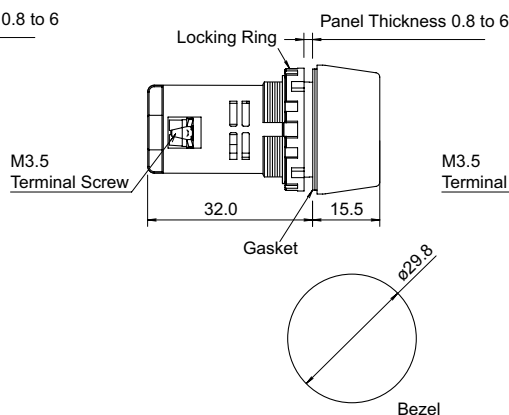
Type		6V	12V	24V	110V	230/240 V
Voltage Range	±10%	6V AC/DC	12V AC/DC	24V AC/DC	100/110V AC	230/240V AC
Rated Voltage		6V AC/DC	12V AC/DC	24V AC/DC	110V AC	230/240V AC
Current Draw	AC/DC	16mA (R,A,Y,W) 13mA (G,B)	20mA	20mA	20mA	20mA
Colour		Red				
		Amber				
		Yellow				
		Green				
		Blue				
		White				
Life (reference value)		Approx. 100,000 hours (The luminance is reduced to 50% the initial intensity when used on complete DC.)				
Internal Circuit					 LED Chip  Protection Diode  Zener Diode	

## Mechanical Specification

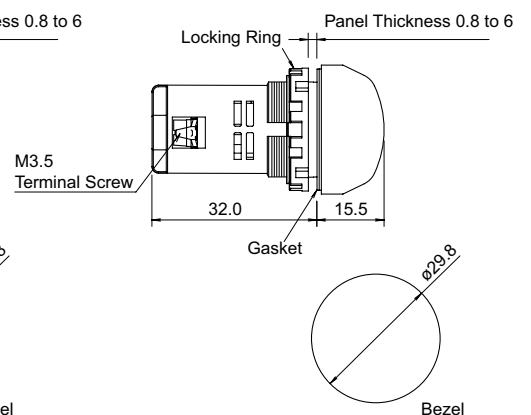
### Flush & Flush Marking Type



### Extended Type



### Dome Type



**45 Series**



# WERNER

Inventing Innovation...

**H.Q.**

**Werner Electric Private Limited**

Plot No.: 166, Hebbal Industrial Area, Mysore - 570016, India.  
Tel: +91 73539 47299, E-mail: info@wernerelektrik.com

**Werner Malaysia Sdn Bhd,**

45-2, Jalan Tiara 2B, Bandar Baru Klang,  
41150, Klang, Selangor, Malaysia.

Tel: +60 13 533 3348, E-mail: info@wernerelektrik.com

**Werner Elektrik Türkiye**

Ayazağa Mah. Mimar Sinan Sok. Seba Office Boulevard.  
D Blok. No.: 21D/45 Sariyer / İstanbul, Türkiye.

Tekefon: +90 539 829 25 07 , E-posta: info@wernerelektrik.com

[www.wernerelektrik.com](http://www.wernerelektrik.com)