

PRODUCT SPECIFICATION

45 Series Ø22mm Unibody Pilots Lights





Unibody Pilot Lights

Higher Brightness

The new unibody pilot light achieves high brightness.

Short Depth behind the Panel

Unibody type measures only 32mm depth behind the panel.

Four Lens Shapes

Flush, flush with marking, extended, and dome.

Panel Mounting

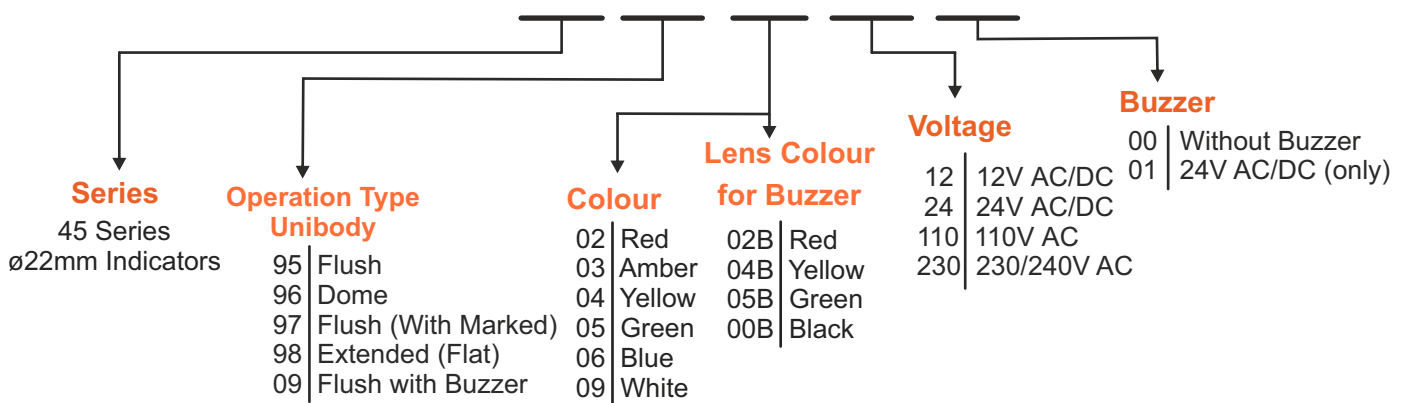
Pilot lights can be mounted on panels simply by tightening the locking ring.

Low Voltage Glow Protective

Pilot lights are protected from glowing at low or leakage voltages. UPTO 5%.

ORDERING TABLE

45.95.02.24.01



Types of Lens



Flush



Dome

Flush
With Marked

Extended

Flush with
Buzzer

Indicator Model Selection

Appearance	Indicator Type	Lamp	Operating Voltage	Lens Color	Model No.
	Flush	LED	12V AC/DC	Red	45.95.02.12
				Amber	45.95.03.12
				Yellow	45.95.04.12
				Green	45.95.05.12
				Blue	45.95.06.12
			White	45.95.09.12	
			24V AC/DC	Red	45.95.02.24
				Amber	45.95.03.24
				Yellow	45.95.04.24
				Green	45.95.05.24
				Blue	45.95.06.24
			White	45.95.09.24	
			110V AC/DC	Red	45.95.02.110
				Amber	45.95.03.110
				Yellow	45.95.04.110
				Green	45.95.05.110
				Blue	45.95.06.110
			White	45.95.09.110	
			230-240V AC/DC	Red	45.95.02.230
				Amber	45.95.03.230
Yellow	45.95.04.230				
Green	45.95.05.230				
Blue	45.95.06.230				
White	45.95.09.230				
	Dome	LED	12V AC/DC	Red	45.96.02.12
				Amber	45.96.03.12
				Yellow	45.96.04.12
				Green	45.96.05.12
				Blue	45.96.06.12
			White	45.96.09.12	
			24V AC/DC	Red	45.96.02.24
				Amber	45.96.03.24
				Yellow	45.96.04.24
				Green	45.96.05.24
				Blue	45.96.06.24
			White	45.96.09.24	
			110V AC/DC	Red	45.96.02.110
				Amber	45.96.03.110
				Yellow	45.96.04.110
				Green	45.96.05.110
				Blue	45.96.06.110
			White	45.96.09.110	
			230-240V AC/DC	Red	45.96.02.230
				Amber	45.96.03.230
Yellow	45.96.04.230				
Green	45.96.05.230				
Blue	45.96.06.230				
White	45.96.09.230				

Indicator Model Selection

Appearance	Indicator Type	Lamp	Operating Voltage	Lens Color	Model No.
	Flush (With Marked)	LED	12V AC/DC	Red	45.97.02.12
				Amber	45.97.03.12
				Yellow	45.97.04.12
				Green	45.97.05.12
				Blue	45.97.06.12
				White	45.97.09.12
			24V AC/DC	Red	45.97.02.24
				Amber	45.97.03.24
				Yellow	45.97.04.24
				Green	45.97.05.24
				Blue	45.97.06.24
				White	45.97.09.24
			110V AC/DC	Red	45.97.02.110
				Amber	45.97.03.110
				Yellow	45.97.04.110
				Green	45.97.05.110
				Blue	45.97.06.110
				White	45.97.09.110
			230-240V AC/DC	Red	45.97.02.230
				Amber	45.97.03.230
Yellow	45.97.04.230				
Green	45.97.05.230				
Blue	45.97.06.230				
White	45.97.09.230				
	Extended (Flat)	LED	12V AC/DC	Red	45.98.02.12
				Amber	45.98.03.12
				Yellow	45.98.04.12
				Green	45.98.05.12
				Blue	45.98.06.12
				White	45.98.09.12
			24V AC/DC	Red	45.98.02.24
				Amber	45.98.03.24
				Yellow	45.98.04.24
				Green	45.98.05.24
				Blue	45.98.06.24
				White	45.98.09.24
			110V AC/DC	Red	45.98.02.110
				Amber	45.98.03.110
				Yellow	45.98.04.110
				Green	45.98.05.110
				Blue	45.98.06.110
				White	45.98.09.110
			230-240V AC/DC	Red	45.98.02.230
				Amber	45.98.03.230
Yellow	45.98.04.230				
Green	45.98.05.230				
Blue	45.98.06.230				
White	45.98.09.230				

Specifications

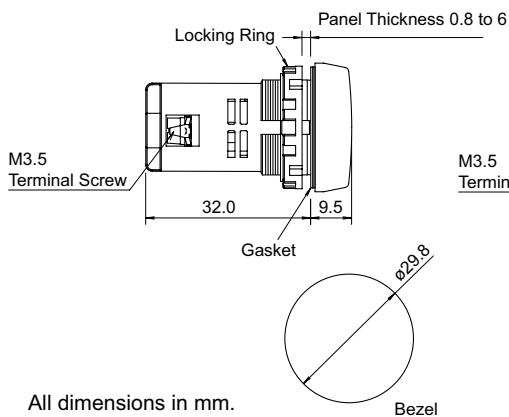
Operating Temperature	-25 to +60°C (No freezing)
Storage Temperature	-40 to +80°C
Operating Humidity	45 to 85% RH (No condensation)
Insulation Resistance	100 MΩ minimum (500V DC megger)
Dielectric Strength	2000VDC For 1 minute
Vibration Resistance	Operating extremes: 5 to 55 Hz, amplitude 1 mm Damage limits: 30 Hz, amplitude 1.5 mm
Shock Resistance	Operating extremes: 100 m/s ² (15G) Damage limits: 1000 m/s ² (100G)
Degree of Protection	IP65 Front of Panel IP20 Back of Panel

LED lamp Ratings

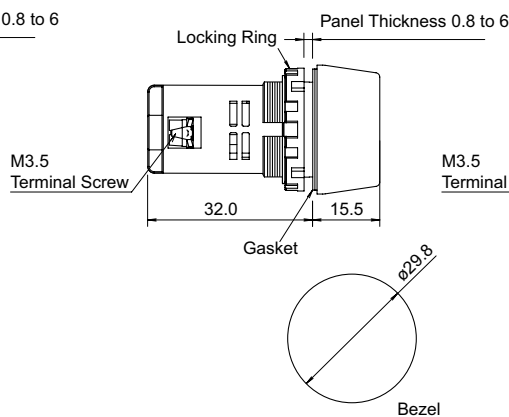
Type		6V	12V	24V	110V	230/240 V
Voltage Range	±10%	6V AC/DC	12V AC/DC	24V AC/DC	100/110V AC	230/240V AC
Rated Voltage		6V AC/DC	12V AC/DC	24V AC/DC	110V AC	230/240V AC
Current Draw	AC/DC	16mA (R,A,Y,W) 13mA (G,B)	20mA	20mA	20mA	20mA
Colour		Red				
		Amber				
		Yellow				
		Green				
		Blue				
		White				
Life (reference value)		Approx. 100,000 hours (The luminance is reduced to 50% the initial intensity when used on complete DC.)				
Internal Circuit					<ul style="list-style-type: none"> LED Chip Protection Diode Zener Diode 	

Mechanical Specification

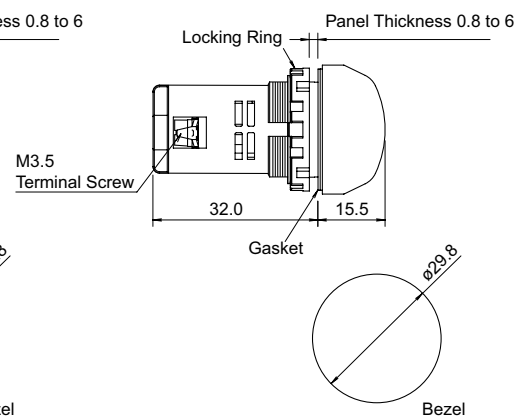
Flush & Flush Marking Type



Extended Type



Dome Type



45 Series



WERNER

Inventing Innovation...

H.Q.

Werner Electric Private Limited

Plot No.: 166, Hebbal Industrial Area, Mysore - 570016, India.
Tel: +91 73539 47299, E-mail: info@wernerelektrik.com

Werner Malaysia Sdn Bhd,

45-2, Jalan Tiara 2B, Bandar Baru Klang,
41150, Klang, Selangor, Malaysia.

Tel: +60 13 533 3348, E-mail: info@wernerelektrik.com

Werner Elektrik Türkiye

Ayazağa Mah. Mimar Sinan Sok. Seba Office Boulevard.
D Blok. No.: 21D/45 Sariyer / İstanbul, Türkiye.

Tekefon: +90 539 588 41 01, E-posta: info@wernerelektrik.com

www.wernerelektrik.com