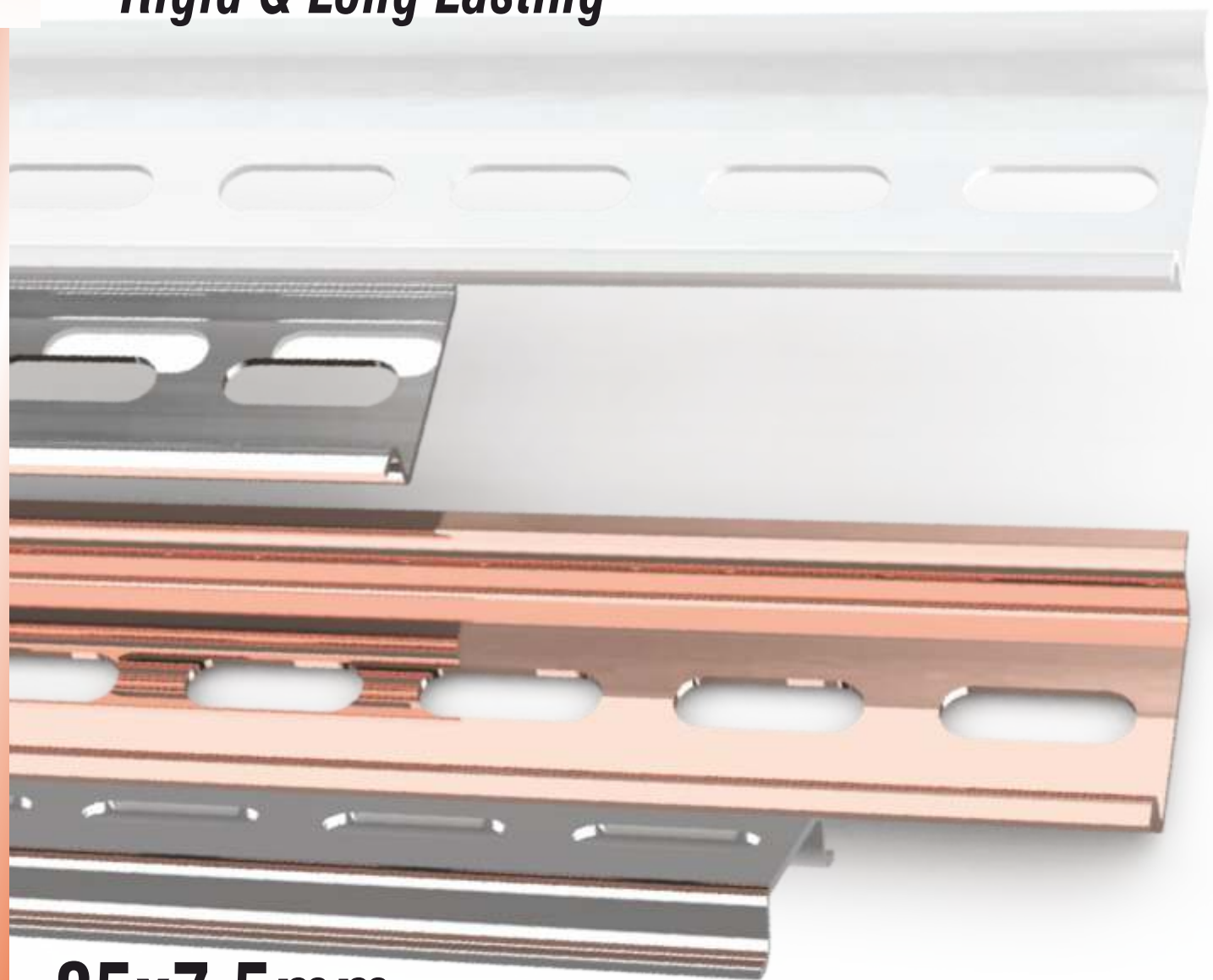


77 Series Din Rail

Rigid & Long Lasting



35x7.5mm

Product Highlights:

- Our Din rails allow many components to be fixed in a panel with only a few screws to anchor the rail to the panel.
- Our Din rails allow easy installation and removal of a block in a row.
- DIN rail dimensions are according to EN 60715.
- Custom length and custom hole sizes available.
- Copper and Aluminium Din Rails available.
- Dimensional exactness and surface treatment made up to max level.
- Mounting hole sizes suitable for M5 & M6 available.

DIN Rail 35x7.5



ORDERING TABLE

77.02.14.01

Series
77 Series
Din Rail

Material

- 01 | Copper
- 02 | Aluminium
- 03 | Steel

Length

- 1 | 1meter
- 2 | 2meter

Plating

- 1 | Zinc Plated with Blue passivated
- 2 | Zinc Plated with Yellow passivated
- 3 | Anodizing (Only for Aluminium)
- 4 | Without plated (Only for Copper)

Types

- 01 | M6 Perforated 18mm slot
- 02 | M5 Perforated 25mm slot
- 03 | M6 Perforated 15mm slot
- 04 | Un-Perforated

Specifications

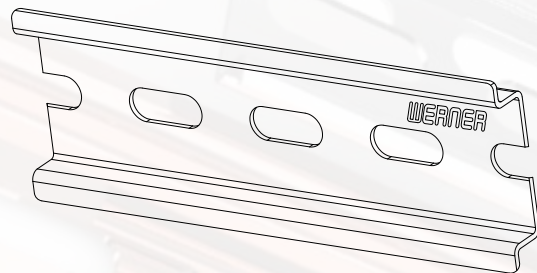
| Description | Units | Steel Blue | Steel Yellow | Steel Copper | Copper | Aluminium+ Anodizing plated |
|---|---|----------------------------|----------------------|--------------------|------------------|--------------------------------|
| Designed in accordance / similar to EN 60715 | | ● | ● | ● | ● | ● |
| Base Metal-cold rolled low carbon steel according to DIN EN 10130 | | ● | ● | ● | ETP grade copper | 5052 Grade |
| Electroplated coating of zinc according to DIN EN 10130 | | ● | ● | ● | Un-coated | Coated |
| Passivation according to DIN EN 12329 | | ● | ● | ● | | |
| Electroplated coating Fe/Zn8//B | | ● | ● | | | |
| Electroplated coating Fe/Zn12//C | | ● | ● | | | |
| Zinc Coating thickness | Micron | 8 ~ 12 | 8 ~ 12 | 8 ~ 12 | | 8 ~ 12 |
| Passivation film thickness | nm | 200-400 | 200-400 | | | |
| Colour appearance | | Light iridescence (Silver) | Iridescence (Yellow) | Iridescence copper | Copper coloured | Aluminium Coloured |
| NSS neutral salt spray White Rust (Minimum) Corrosion Stability | Hours | 120 | 120 | 120 | | |
| NSS neutral salt spray Red Rust (Minimum) Corrosion Stability | Hours | 240 | 240 | 240 | | |
| CE Compliances | | ● | ● | ● | ● | ● |
| May be used as grounding busbars (PE function) according to IEC 60947-7-2 | | | | | | |
| Standard length | Metre | 1 or 2 | 1 or 2 | 1 or 2 | 1 or 2 | 1 or 2 |
| Availability in custom cut length | mm | ● | ● | ● | ● | ● |
| Box Size (L x H x W)mm | 1 metre / 20 pcs. | ● | ● | ● | ● | ● |
| | 2 metre / 20 pcs. 1020 x 40 x 87 2010 x 40 x 90 | | | | | |

Mechanical Specification

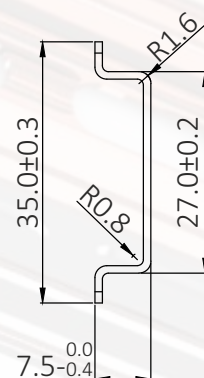
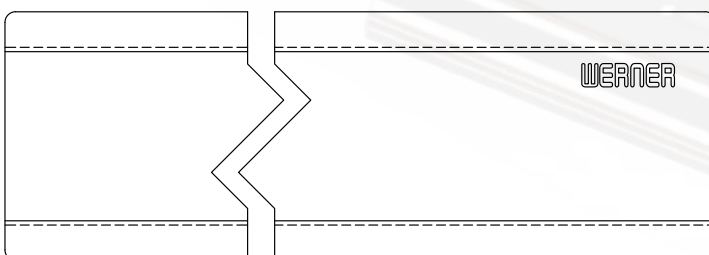
35x7.5mm Un-Perforated Type



35x7.5mm Perforated Type



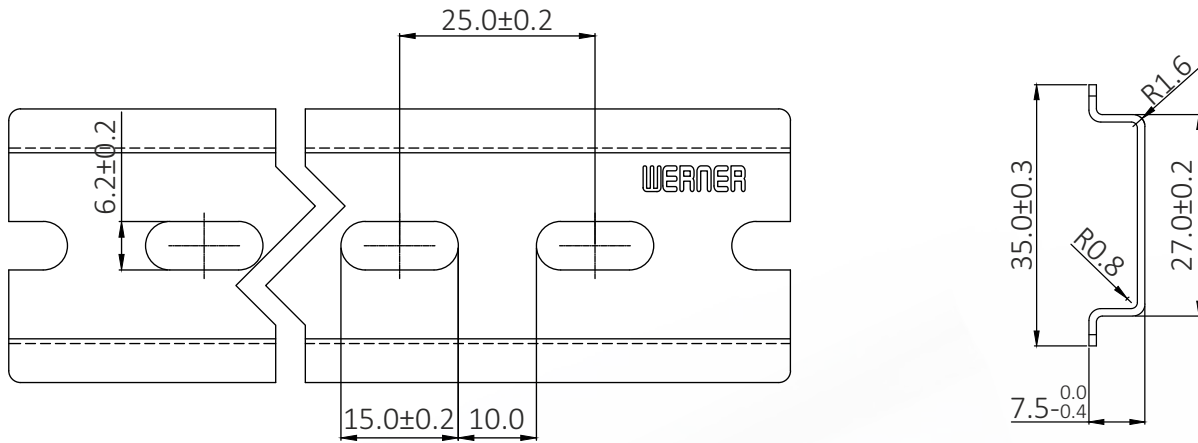
35x7.5mm Un-Perforated



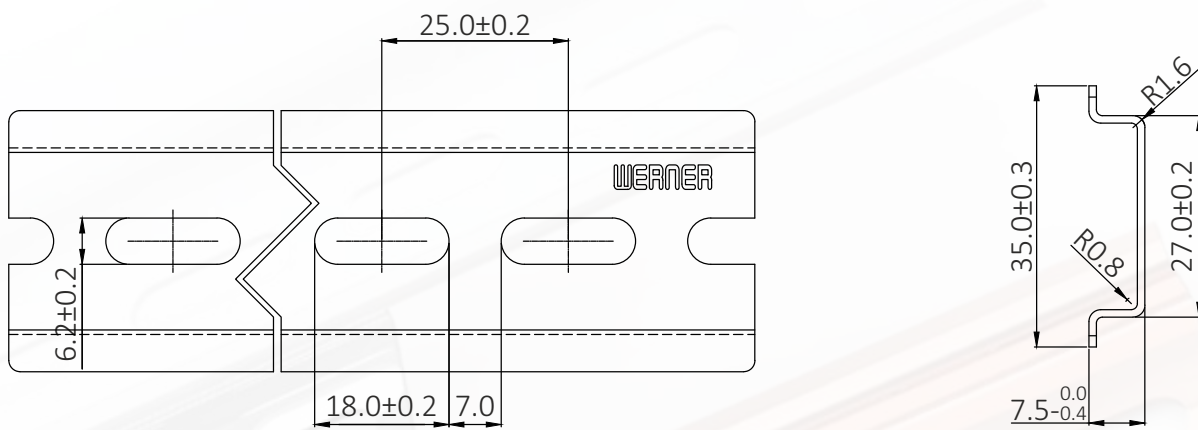
77 Series

Mechanical Specification

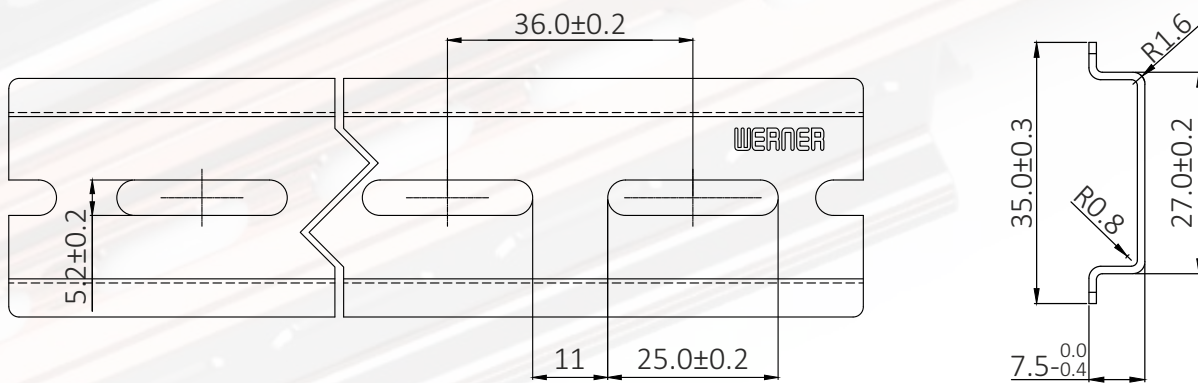
35x7.5 mm M6 Perforated 15mm slot



35x7.5 mm M6 Perforated 18mm slot



35x7.5 mm M5 Perforated 25mm slot





WERNER

For more information contact:

Werner Electric Pvt. Ltd.,

Plot No. 166, Hebbal Industrial Area, Mysore - 570016, India

Tel: +91-9686321242 • E: info@in.wernerelektrik.com

www.wernerelektrik.com